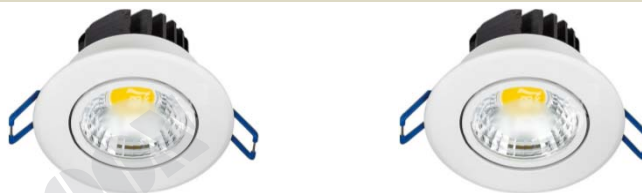
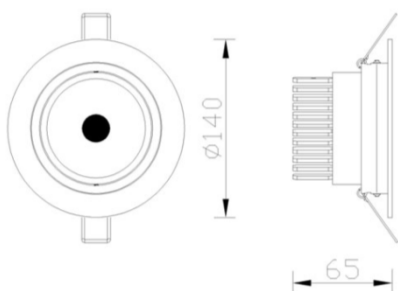


Data Specification:

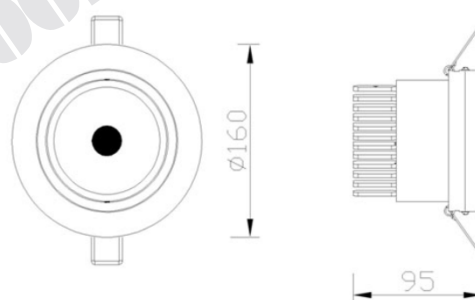


Performance & parameter of product

Model No.	Part Number	OT0950-15W	OT0960-25W
Performance Parameter	Lamp	Warm white/Natural white/Cool white	
	Lumen (lm)	950lm/980lm/1000lm	1800lm/1900lm/2000lm
	Color temperature (K)	3000K/4000K/5000K	3000K/4200K/6500K
	CRI	≥80	≥70
	Type of LED	COB LED	COB LED
	Beam angle	66°	30°
	Decay rate (%)	less than 3% within 1000 working hours	
	Total power (W)	15-16W	25-26W
	Lifespan (Hrs)	≥30000Hrs	≥30000Hrs
	High voltage testing	1750Vac/1min	1750Vac/1min
LED parameter	Lighting efficiency	100LM/W	100LM/W
	Chip quantity	30Pcs	48Pcs
	Series-parallel way	6S5P	12S4P
	Voltage	18-19.5V	37VDC
	Current	700mA	600mA
Driver Parameter	Input parameter	100~240VAC , 50/60Hz	
	Power factor	0.9	0.9
	Output parameter	17-25VDC, 700mA	30-37VDC, 600mA
Structure Parameter	Material	Cast-Aluminium	Cast-Aluminium
	Dimension	φ140*65mm	φ160*95mm
	Cut-out	Φ115mm	Φ130mm
	Protection class	calss II	calss II
	Ingress Protection	IP20	IP20
Environment Parameter	Application	Hotel,Home-lighting,Recreation place, Supermarket, Office building	
	Operating temperature	-25℃ ~ 50℃、10% ~ 90% R.H.	
	Storage temperature	-30℃ ~ 85℃、0% ~ 95% R.H.	
Packing Specification	Quantity NW/GW		
	Carton size:		



OT0950-15W



OT0960-25W

* Others data not in the specification of data, please contact us.

如果你要求的規格參數不在本規格書裡表現出來請與我們聯絡。