



SINLOON[®]
POWER SEMICONDUCTOR

BAT42W / BAT43W



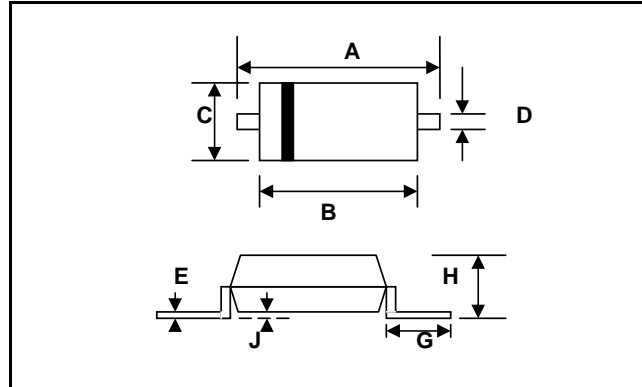
SURFACE MOUNT SCHOTTKY BARRIER DIODE

FEATURE

- ◆ Low Turn-on Voltage
- ◆ Fast Switching
- ◆ PN Junction Guard Ring for Transient and ESD Protection
- ◆ Designed for Surface Mount Application
- ◆ Plastic Material - UL Recognition Flammability Classification 94V-0

MECHANICAL DATA

- ◆ Case: SOD-123, Molded Plastic.
- ◆ Terminals: Solder Plated, Solderable per MIL-STD-202, Method 208
- ◆ Polarity: Cathode Band.
- ◆ Marking: BAT42W = L2
BAT43W = L3
- ◆ Weight: 0.01 grams (approx)
- ◆ Lead Free: For RoHS / Lead free Version, Add "LF" suffix to part Number, See page 2.



SOD-123		
Dim.	Min.	Max.
A	3.60	3.90
B	2.50	2.80
C	1.40	1.80
D	0.500	0.700
E	-	0.20
G	0.40	-
H	0.950	1.350
J	-	0.120
All Dimensions in mm		

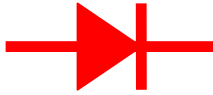
<http://www.mayloon.com>

MAXIMUM RATINGS AND ELECTRICAL CHARACTERISTICS @TA = 25°C unless otherwise specified

Characteristic	Symbol	BAT42W/BAT43W	Unit
Peak Repetitive Reverse Voltage	VRRM	30	V
Working Peak Reverse Voltage	VRWM		
DC Blocking Voltage	VR		
Forward Continuous Current (Note 1)	IF	200	mA
Repetitive Peak Forward Current (Note 1) @t<1.0s	IFRM	500	mA
Non-Repetitive Peak Forward Surge Current @t<1.0s	IFSM	4.0	A
Power Dissipation	Pd	200	mW
Typical Junction to Ambient Air (Note 1)	RθJL	625	Kw
Typical Thermal Resistance (Note 1)			
Operating and Storage Temperature Range	TJ, TSTG	-55 to +125	°C

Characteristic	Symbol	Min	Typ	Max	Unit	Test Condition
Reverse Breakdown Voltage	V (BR)R	30	-	-	V	@IRS = 100uA
Forward Voltage	VF	-	-	0.40	V	@IF= 10mA
				1.00		@IF= 200mA
				0.33		@IF= 2mA
						@IF= 200mA
Reverse Breakdown Current	IR	-	-	1.00	uA	@VR= 25V
Junction Capacitance	Cj	-	-	0.50	pF	IF=10mA through IR = 10mA
Reverse Recovery Time	Trr	-	-	5.00	nS	to IR = 1mA, RL = 100Ω

Note: 1 Valid provided that terminals are kept at ambient temperature.

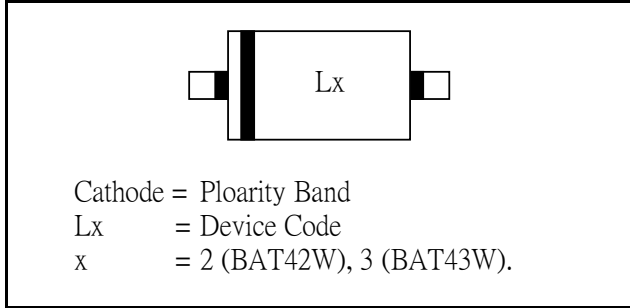


SINLOON[®]
POWER SEMICONDUCTOR

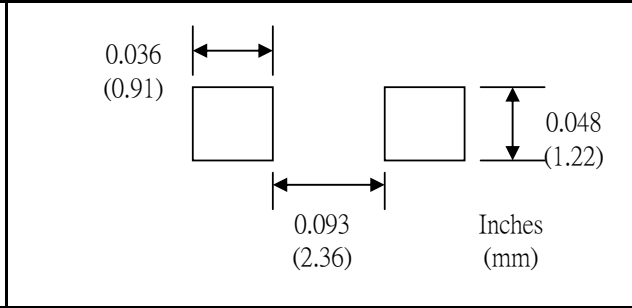
BAT42W / BAT43W
SURFACE MOUNT SCHOTTKY BARRIER DIODE



MARKING INFORMATION

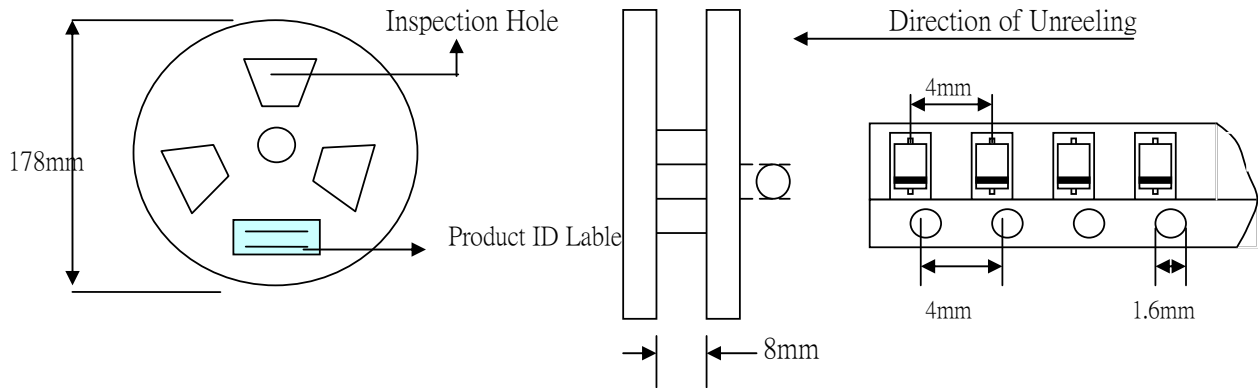


RECPMMENDED FOOTPRINT



<http://www.mayloon.com>

MARKING INFORMATION



Reel Diameter (mm)	Quantity (PCS)	Inner bax Size LxWxH (mm)	Quantity (PCS)	Carton Size LxWxH (mm)	Quantity (PCS)	Approx Gross Weight (KG)
178	3000	187x187x65	15000	390x240x420	150000	10

- Note: 1). Anti-static plastic reel, white, water clear or blue color, inspection hole might be varied in different alinment.
2). Components are packed in accprdance with EIA standerd 481-1 and 481-2.

ORDERING INFORMATION

Product No.	Package Type	Shipping Quantity
BAT42W-T1	SOD-123	3000/Tape & Reel
BAT43W-T1	SOD-123	3000/Tape & Reel

- 1). Shipping quantity given is minimum packing quantity only, for minimum order riativity, please consult thesales department.
2). To order RoHS / Lead Free version (with Lead Free Finisf), add "LF" suffix to part number above, For example : BAT42W-T1-LF