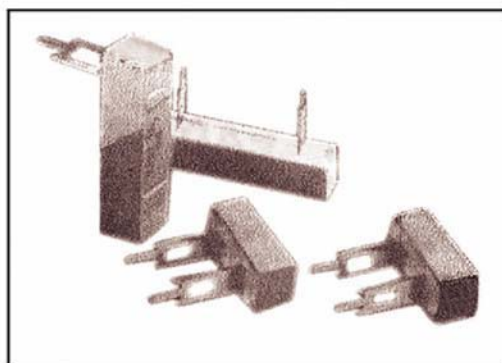
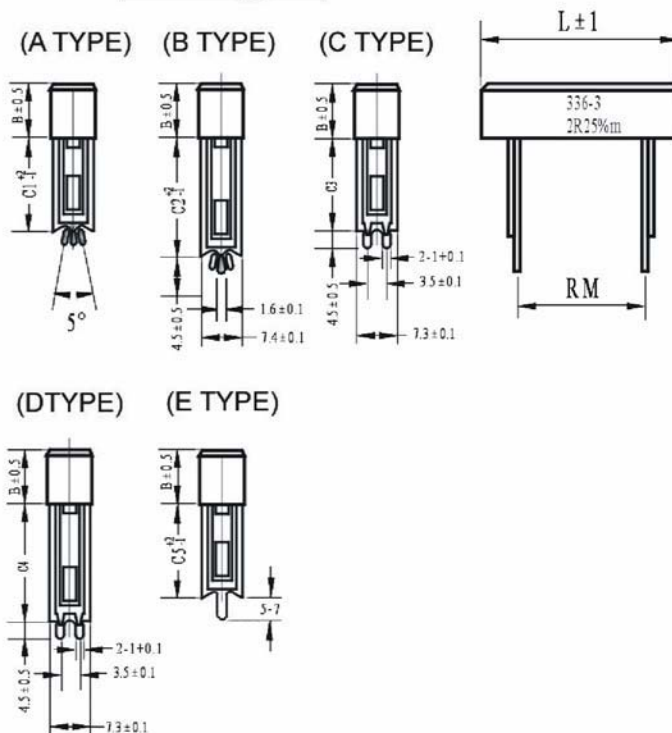


水泥電阻器 SQZ 系列  
Cement Resistors SQZ Series

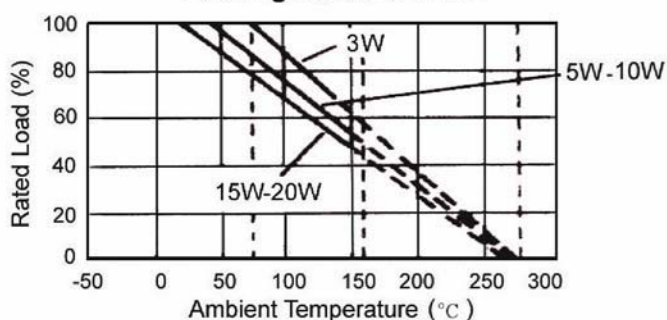
■ 外形尺寸 DIMENSIONS



Pin Type



Derating Curve 功率曲線



■ 技術說明 (TECHNICAL SPECIFICATIONS)

型號 (Type)	額定功率 Rated Power(W) Ambient temperature=70°C	阻值範圍(Resistance range)		外形尺寸 Dimensions(mm)								
		最小值(Min.)	最大值(Max.)	L	B	RM	C1	C2	C3	C4	C5	
SQZ3W	3.0	1R0	2K4	23	10	10	15	25	15	25	9.5	
SQZ5W	5.0	1R0	3K6	28	10	10	15	25	15	25	9.5	
SQZ7W	7.0	1R0	4K7	35	10	20.5	15	25	15	25	9.5	
SQZ10W	10.0	1R0	6K8	48	10	32.0	15	25	15	25	9.5	
SQZ15W	15.0	1R0	7K5	50	13	32.0	15	25	15	25	15	
SQZ20W	20.0	1R0	10K	65	13	45.0	15	25	15	25	15	

■ 特性 CHARACTERISTICS

試驗項目 TEST ITEM	性能要求 SPECIFICATIONS
精度 (Tolerances)	±5% (J) ±10% (K)
溫度係數 (Temperature coefficient)	±250 10 <sup>-6</sup> / °C
絕緣電壓 (Insulation voltage)	700V
絕緣電阻 (Insulation resistance)	>1GMΩ
氣候類型 (Climatic category)	55/155/21
溫度範圍 (Temperature range)	-55 ~ 275°C
長期試驗 (Load life)	ΔR ≤ ± (5% R + 0.1Ω)
穩態濕熱 (Damp heat, steady)	ΔR ≤ ± (5% R + 0.1Ω)
引出強度 (Terminal tensile strength)	ΔR ≤ ± (1% R + 0.05Ω)
耐焊接熱 (Resistance to sold, heat)	ΔR ≤ ± (1% R + 0.05Ω)
可焊性 (Solder ability)	IEC68 -2 - 20(1968) 槽焊法, 235°C ± 5°C, 2 ± 0.5s(solder bath method)