

**SINLOON®**

平面灌膠式空芯線圈電感  
Turns: 6 ~ 10

TYPE: AM4015 Series  
SMD Flat Top Air Core Inductor

□ Feature

- ◆ High frequency (高頻)
- ◆ Highest possible SRF as well as excellent Q values (高共振頻率及高品質因素)
- ◆ The constitutive property is good and easy to operate (結構性佳、使用方便)

□ Applications (用途)

- ◆ Pager, Cordless phone & High Freq. Communication Products (呼叫器、行動電話及高頻通訊類產品)
- ◆ Intercom, CATV (對講機、CATV)

□ Ordering

Product Identification of Part Number (i.e. : AM4015-06 )  
AM4015 SMD Flat Top Air Core Inductors Size  
06 Turns

□ Figure



□ Package

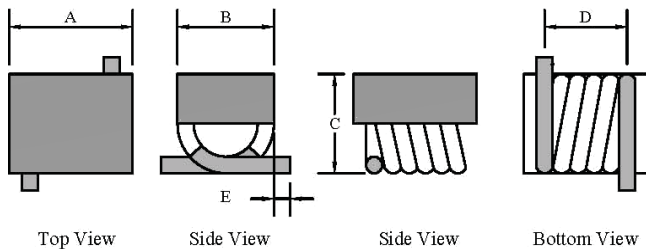
Packaging Tape Reel 178/330mm diameter  
reel EIA ST 481-1  
Quantity : 4000 piece reel / 330mm

□ Configurations & Dimension

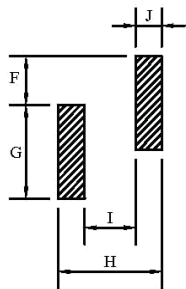
Unit: mm

TYPE	A	B	C	D	E	F	G	H	I	J
AM4015	4.0±0.3	1.5±0.2	1.5±0.2	3.5±0.4	0.9±0.3	1.0	2.5	4.5	2.9	0.8

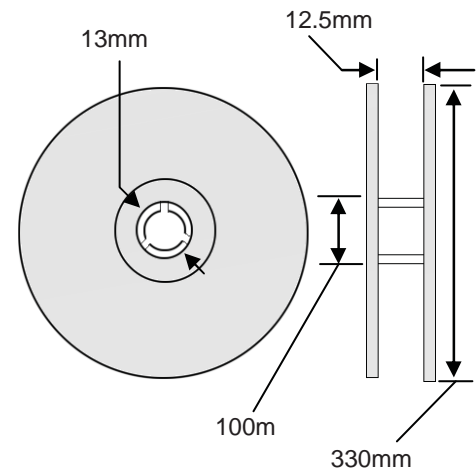
\* Design as Customers Requested Specifications (可依特殊需求設計生產)



Land Pattern



□ Reel Type Dimension



□ Electrical Characteristics for AM4015 Series

產品規格型號 Ordering Part Number	圈數 Turns	電感值(L) Inductance L (nH)	品質因數 Q (min)	測試頻率 Test Freq (MHz)	共振頻率 SRF(MHz) (min)
AM4015-06	6	5.60±5%	100	800	>3.0
AM4015-07	7	7.15±5%	100	800	>3.0
AM4015-08	8	8.85±5%	100	800	>3.0
AM4015-09	9	9.85±5%	100	800	>3.0
AM4015-10	10	12.55±5%	100	800	>3.0

※美隆公司產品規格及其特性參數的改變或更新恕不另行通知。

※Mayloon characteristic parameters of electronic product specification changes or updates without notice to improve

