

SINLOON®

無線辨別感應器線圈
Inductance Range: 2.4mH ~ 10mH

TYPE: AT3D15
RFID ANTENNA

Feature

- ◆ Keyless Go systems (Keyless entry / Go, Passive Entry / Go) for Automotive. (汽車用無鍵輸入系統)
- ◆ Tire Pressure Monitoring System (TPMS) (汽車輪胎氣壓監視系統)
- ◆ Access control (存取控制系統)
- ◆ Tracking devices (讀取追蹤器)

Figure



Ordering

Product Identification of Part Number (i.e. : AT3D15-242J)
AT3D15: FRID Transponder Coils
-242 : Inductance
J : Tolerance ±5%

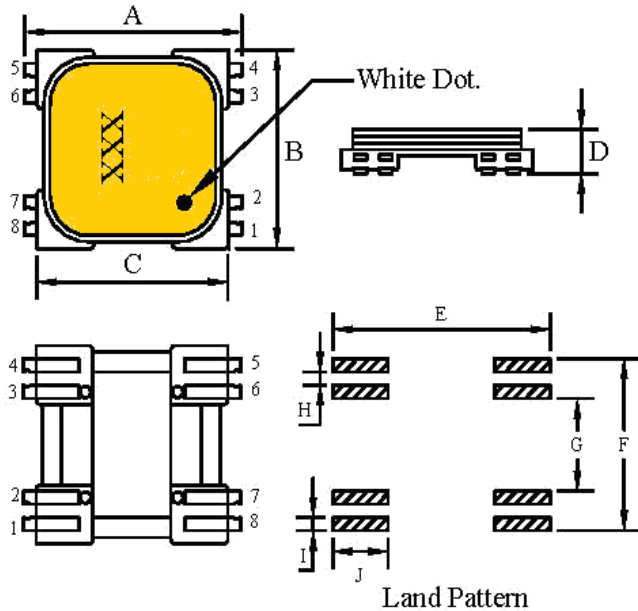
Package

Packaging Tape Reel 330mm diameter
reel EIA ST 481-1
Quantity 500 piece reel

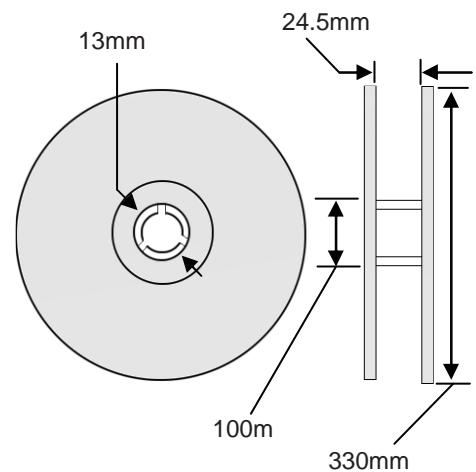
Configurations & Dimension

TYPE	A (max)	B (max)	C (max)	D (max)	E	F	G	H	I	J
AT3D15	17.5	15.5	15.5	3.8	14.7	13.2	6.6	0.7	1.3	4.1

* Design as Customers Requested Specifications (可依特殊需求設計生產)



Reel Type Dimension



Electrical Characteristics for AT3D15 Series

Unit: mm

產品規格型號 Ordering Part Number	電感值(L) Inductance X.Y.Z(mH)	品質因數 Q X.Y.X (Typ)	共振頻率 SRF(KHz)		直流抵抗 DCR (Ω)	
			X.Y (Typ)	Z (Typ.)	X.Y (max)	Z (max)
AT3D15-242J	2.47	23.0	500	1000	75	75
AT3D15-252J	2.58	23.0	500	800	75	75
AT3D15-342J	3.45	27.0	450	800	85	100
AT3D15-402J	4.05	27.0	400	800	98	98
AT3D15-472J	4.77	28.0	380	800	100	136
AT3D15-492J	4.91	27.0	350	750	105	140
AT3D15-722J	7.20	30.0	330	750	120	172
AT3D15-103J	10.0	25.0	250	550	165	258

- ※ Test Frequency : 125KHz / 1V
- ※ Operating Temperature: -40°C ~ +85°C

※美隆公司產品規格及其特性參數的改變或更新恕不另行通知。

※Mayloon characteristic parameters of electronic product specification changes or updates without notice to improve

