

SINLOON®

無線辨別感應器線圈
Inductance Range: 2.4mH ~ 10mH

TYPE: AT1514ZB
RFID ANTENNA

Feature

- ◆ Low Frequency (LF) Transponder receiver.
(低頻率轉發接收)
- ◆ Compact and thinner type Antenna.
(輕便薄小天線線圈)

Applications (用途)

- ◆ Keyless Entry Systems, Smart Entry Systems and Passive Entry Systems
(無鍵輸入系統, 智能輸入系統及被動輸入系統)

Ordering

Product Identification of Part Number (i.e. : AT1514ZB-382J)
AT3D15: FRID Transponder Coils
-382 : Inductance
J : Tolerance J: ±5%; K: ±10%; M: ±20%.

Figure



Package

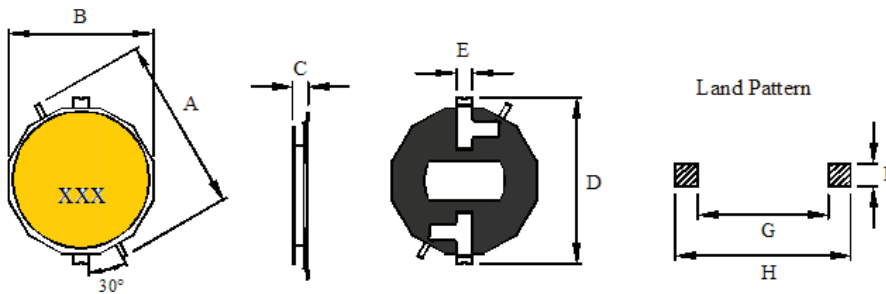
Packaging Tape Reel 330mm diameter
reel EIA ST 481-1
Quantity 1,500 piece reel

Configurations & Dimension

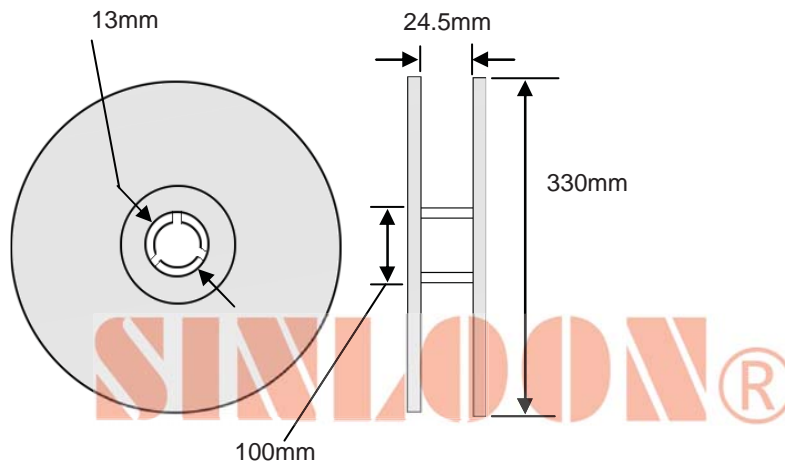
Unit: mm

TYPE	A	B	C	D	E	F	G	H	Reel	MPQ
AT1514ZB	17.5±0.2	14.3±0.1	1.6 (max)	16.4±0.15	1.5 (Ref)	2.3	12.8	17.2	330	1500 piece

* Design as Customers Requested Specifications (可依特殊需求設計生產)



Reel Type Dimension



※美隆公司產品規格及其特性參數的改變或更新恕不另行通知。

※Mayloon characteristic parameters of electronic product specification changes or updates without notice to improve

