

SINLOON®

閉磁式功率電感
Inductance Range: 2.2μH ~ 47μH

Type: D7011F/D7015F Series
SMT Shielded Power Inductors

SMT Shielded Power Inductors

Part No.	Inductance Range:
D7011F	4.7μH ~ 22μH
D7015F	2.2μH ~ 47μH

□ **Feature**

- ◆ Magnetically shielded construction (閉磁路構造設計)
- ◆ Compact and thin (輕便薄小)
- ◆ Large Current and Low DCR (大電流低直流阻抗)

□ **Applications**

- ◆ DC-DC converter of portable equipment. (攜帶機器之直流轉換器)
- ◆ Camcorder, LCD television set, Digital camera, P.D.A., Notebook. (攝影機、液晶電視、數位相機、P.D.A.、筆記型電腦)
- ◆ Large Current and Low DCR (大電流低值阻抗)

□ **Figure**



□ **Ordering**

Product Identification of Part Number
Type: Ex. D7011F-4R7N
* See Product Part of Number
Tolerance:
K ±10%; L ±15%; M ±20%; N ±30%

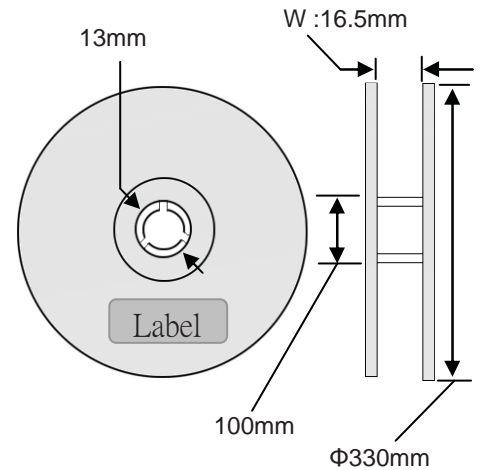
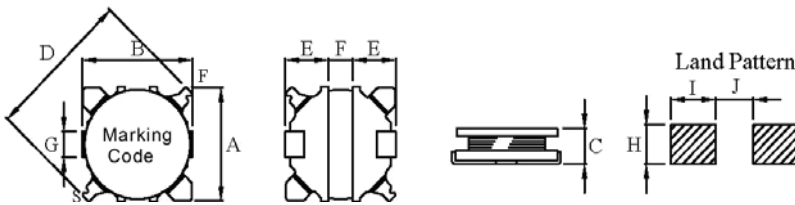
□ **Configurations & Dimension**

Unit:mm

TYPE	A (max)	B (max)	C (max)	D (max)	E	F	G	H	I	J
D7011F	7.5	7.5	1.2	10.18	2.6	2.0	16.5	16.5	2.25	3.5
D7015F	7.5	7.5	1.5	10.18	2.6	2.0	16.5	16.5	2.25	3.5

※Design as Customers Requested Specifications (可依特殊需求設計生產)

□ **Reel Type Dimension**



Packing:

Type	Reel Dim	Quantity
D7011F	Φ300mm	3000pcs
D7015F	Φ300mm	2500pcs

SINLOON®

※美隆公司產品規格及其特性參數的改變或更新恕不另行通知。

※Mayloon characteristic parameters of electronic product specification changes or updates without notice to improve



SINLOON®

閉磁式功率電感

Type:

D7011F/D7015F Series

Inductance Range: 2.2μH ~ 47μH

SMT Shielded Power Inductors

□ **Electrical Characteristics for D7011F Series**

產品規格型號 Ordering Part Number	電感值(L) Inductance (μH)	測試頻率 Test Freq. (KHz)	直流阻抗 DCR (Ω) (max)	定格電流 IDC (A) (max)	溫升電流 Irms(A) (max)	字碼 Marking Code
D7011F-4R7N	4.70	100	0.130	2.00	1.60	4R7
D7011F-6R8N	6.80	100	0.169	1.70	1.32	6R8
D7011F-100M	10.00	100	0.202	1.40	1.25	100
D7011F-150M	15.00	100	0.343	1.10	0.90	150
D7011F-220M	22.0	100	0.488	0.90	0.75	220

※ Test Frequency: 100KHz / 0.1V

※ Operating Temperature: -40°C ~ +85°C

※ Inductance drop : 35% typ at Isat.

※ ΔT : 40°C rise at IDC

□ **Electrical Characteristics for D7015F Series**

產品規格型號 Ordering Part Number	電感值(L) Inductance (μH)	測試頻率 Test Freq. (KHz)	直流阻抗 DCR (Ω) (max)	定格電流 Isat (A) (max)	溫升電流 Irms(A) (max)	字碼 Marking Code
D7015F-2R2M	2.2	100	0.0420	2.50	2.70	2R2
D7015F-3R3M	3.3	100	0.0510	2.00	2.50	3R3
D7015F-4R7M	4.7	100	0.0710	1.80	2.05	4R7
D7015F-6R8M	6.8	100	0.1210	1.40	1.70	6R8
D7015F-100M	10.0	100	0.1630	1.20	1.40	100
D7015F-150M	15.0	100	0.2210	0.95	1.20	150
D7015F-220M	22.0	100	0.3040	0.75	1.00	220
D7015F-330M	33.0	100	0.4840	0.62	0.73	330
D7015F-470M	47.0	100	0.6190	0.50	0.70	470

※ Test Frequency: 100KHz / 0.1V

※ Operating Temperature: -40°C ~ +85°C

※ Inductance drop : 20% typ at IDC

※ ΔT : 40°C rise at Irms (at 25°C)

※ Design as Customers Requested Specifications (可依特殊需求設計生產)

SINLOON®

※美隆公司產品規格及其特性參數的改變或更新恕不另行通知。

※Mayloon characteristic parameters of electronic product specification changes or updates without notice to improve

