

SINLOON®

閉磁式功率電感

Inductance Range: 1.3µH ~ 1000µH

RH103R/RH104R/RH105R Series

SMT Shielded Power Inductors

SMT Shielded Power Inductors

RH103R	Inductance Range	10µH ~ 150µH
RH104R	Inductance Range	1.3µH ~ 330µH
RH105R	Inductance Range	10µH ~ 1000µH

□ **Feature**

- ◆ Magnetically shielded construction (閉磁路構造設計)
- ◆ Compact and thin (輕便薄小)
- ◆ Wire burst resistant due special construction (斷線對策構造)

□ **Applications**

- ◆ DC-DC converter of portable equipment. (攜帶機器之直流轉換器)
- ◆ Camcorder, LCD television set, Digital camera, P.D.A., Notebook. (攝影機、液晶電視、數位相機、P.D.A.、筆記型電腦)

□ **Figure**



□ **Ordering**

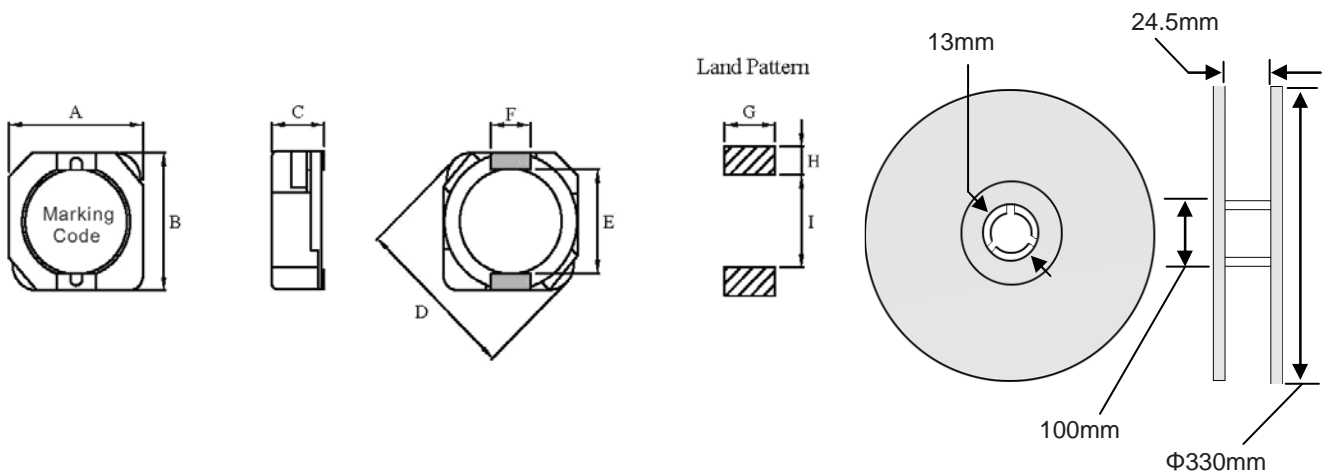
Product Identification of Part Number
Type: Ex. RH103R-100M
* See Product Part of Number
Tolerance: K ±10%; L ±15%; M ±20%; N ±30%

□ **Configurations & Dimension**

TYPE	A (max)	B (max)	C (max)	D (max)	E	F	G	H	I	Unit:mm
										Reel Tape Φ330mm
RH103R	10.3	10.4	3.0	13.5	7.7±0.3	3.0±0.1	3.6	1.7	7.3	1000pcs
RH104R	10.3	10.4	4.0	13.5	7.7±0.3	3.0±0.1	3.6	1.7	7.3	1000pcs
RH105R	10.3	10.4	5.0	13.5	7.7±0.3	3.0±0.1	3.6	1.7	7.3	500pcs

※Design as Customers Requested Specifications (可依特殊需求設計生產)

□ **Reel Type Dimension**



SINLOON®

※美隆公司產品規格及其特性參數的改變或更新恕不另行通知。

※Mayloon characteristic parameters of electronic product specification changes or updates without notice to improve



□ Electrical Characteristics for RH103R Series

產品規格型號 Ordering Part Number	電感值(L) Inductance (μ H)	測試頻率 Test Freq. (KHz)	直流阻抗 DCR (Ω) (max)	定格電流 IDC (A) (max)	溫升電流 Irms(A) (max)	字碼 Marking Code
RH103R-100M	10	100	0.0581	2.70	2.80	100
RH103R-120M	12	100	0.0721	2.25	2.10	120
RH103R-150M	15	100	0.0865	2.22	2.05	150
RH103R-180M	18	100	0.1161	1.90	1.80	180
RH103R-220M	22	100	0.1454	0.78	1.60	220
RH103R-270M	27	100	0.1759	1.63	1.50	270
RH103R-330M	33	100	0.2134	1.46	1.35	330
RH103R-390M	39	100	0.2689	1.32	1.25	390
RH103R-470M	47	100	0.2986	1.18	1.20	470
RH103R-560M	56	100	0.3358	1.10	1.15	560
RH103R-680M	68	100	0.4513	1.04	0.98	680
RH103R-820M	82	100	0.5138	0.94	0.80	820
RH103R-101M	100	100	0.7000	0.84	0.70	101
RH103R-121M	120	100	0.7650	0.76	0.65	121
RH103R-151M	150	100	0.8763	0.70	0.51	151



- ※ Test Frequency: 100KHz / 0.25V
- ※ Operating Temperature: -40 $^{\circ}$ C ~ +85 $^{\circ}$ C
- ※ Inductance drop : 25% typ at IDC.
- ※ Δ T = 40 $^{\circ}$ C rise at Irms.
- ※ Design as Customers Requested Specifications (可依特殊需求設計生產)

□ Electrical Characteristics for RH104R Series

產品規格型號 Ordering Part Number	電感值(L) Inductance (μ H)	測試頻率 Test Freq. (KHz)	直流阻抗 DCR (Ω) (max)	定格電流 IDC (A) (max)	溫升電流 Irms(A) (max)	字碼 Marking Code
RH104R-1R3N	1.3	100	0.0081	10.00	6.50	1R3
RH104R-2R5N	2.5	100	0.0100	7.50	6.10	2R5
RH104R-3R8N	3.8	100	0.0130	6.00	5.50	3R8
RH104R-5R2N	5.2	100	0.0220	5.50	5.40	5R2
RH104R-7R0N	7.0	100	0.0270	4.80	4.50	7R0
RH104R-100M	10	100	0.0350	4.40	3.80	100
RH104R-150M	15	100	0.0500	3.60	3.10	150
RH104R-220M	22	100	0.0730	2.90	2.50	220
RH104R-330M	33	100	0.0930	2.30	2.20	330
RH104R-470M	47	100	0.1280	2.10	1.90	470
RH104R-680M	68	100	0.2130	1.50	1.42	680
RH104R-101M	100	100	0.3040	1.35	1.25	101
RH104R-151M	150	100	0.5060	1.15	0.85	151
RH104R-221M	220	100	0.7560	0.92	0.70	221
RH104R-331M	330	100	1.0900	0.70	0.52	331



- ※ Test Frequency: 100KHz / 0.25V
- ※ Operating Temperature: -40 $^{\circ}$ C ~ +85 $^{\circ}$ C
- ※ Inductance drop : 10% typ at IDC.
- ※ Δ T = 40 $^{\circ}$ C rise at Irms.
- ※ Design as Customers Requested Specifications (可依特殊需求設計生產)

SINLOON®

※美隆公司產品規格及其特性參數的改變或更新恕不另行通知。

※Mayloon characteristic parameters of electronic product specification changes or updates without notice to improve



□ Electrical Characteristics for RH105R Series

產品規格型號 Ordering Part Number	電感值(L) Inductance (μH)	測試頻率 Test Freq. (KHz)	直流阻抗 DCR (Ω) (max)	定格電流 IDC (A) (max)	溫升電流 Irms(A) (max)	字碼 Marking Code
RH105R-100M	10	100	0.0258	3.45	4.50	100
RH105R-120M	12	100	0.0320	3.40	3.80	120
RH105R-150M	15	100	0.0400	2.83	3.70	150
RH105R-180M	18	100	0.0460	2.62	3.10	180
RH105R-220M	22	100	0.0585	2.44	3.00	220
RH105R-270M	27	100	0.0654	2.24	2.60	270
RH105R-330M	33	100	0.0814	1.88	2.50	330
RH105R-390M	39	100	0.1031	1.70	2.25	390
RH105R-470M	47	100	0.1221	1.56	2.20	470
RH105R-560M	56	100	0.1448	1.39	1.90	560
RH105R-680M	68	100	0.1930	1.36	1.60	680
RH105R-820M	82	100	0.2194	1.20	1.50	820
RH105R-101M	100	100	0.2470	1.09	1.35	101
RH105R-121M	120	100	0.2984	1.00	1.20	121
RH105R-151M	150	100	0.3551	0.91	1.15	151
RH105R-181M	180	100	0.3943	0.84	1.10	181
RH105R-221M	220	100	0.4838	0.75	1.00	221
RH105R-271M	270	100	0.6325	0.68	0.80	271
RH105R-331M	330	100	0.7800	0.60	0.75	331
RH105R-391M	390	100	0.9575	0.57	0.70	391
RH105R-471M	470	100	1.2204	0.50	0.54	471
RH105R-561M	560	100	1.3540	0.47	0.52	561
RH105R-681M	680	100	1.5192	0.43	0.51	681
RH105R-821M	820	100	1.6944	0.39	0.48	821
RH105R-102M	1000	100	1.9464	0.35	0.42	102



- ※ Test Frequency: 100KHz / 0.25V
- ※ Operating Temperature: -40°C ~ +85°C
- ※ Inductance drop : 10% typ at IDC.
- ※ ΔT = 40°C rise at Irms.
- ※ Design as Customers Requested Specifications (可依特殊需求設計生產)

※美隆公司產品規格及其特性參數的改變或更新恕不另行通知。
 ※Mayloon characteristic parameters of electronic product specification changes or updates without notice to improve

