

**SINLOON®**

閉磁式功率電感

Inductance Range: 1.2 $\mu$ H ~ 47 $\mu$ H

TYPE: RH3D Series

SMT Shielded Power Inductors

SMT Shielded Power Inductors

Part No. Inductance Range:

RH3D11 2.7 $\mu$ H ~ 39 $\mu$ H

RH3D16 1.2 $\mu$ H ~ 47 $\mu$ H

RH3D28 1.5 $\mu$ H ~ 22 $\mu$ H

RH3D14LD 1.5 $\mu$ H ~ 33 $\mu$ H

RH3D14HP 3.3 $\mu$ H ~ 47 $\mu$ H

**Feature**

- ◆ Magnetically shielded construction (閉磁路構造設計)
- ◆ Compact and thin (輕便薄小)
- ◆ Large Current and Low DCR (大電流低直流阻抗)

**Applications**

- ◆ DC-DC converter of portable equipment. (攜帶機器之直流轉換器)
- ◆ Camcorder, LCD television set, Digital camera, P.D.A., Notebook. (攝影機、液晶電視、數位相機、P.D.A.、筆記型電腦)

**Figure**



**Ordering**

Product Identification of Part Number

Type: Ex. RH3D11-2R7N

\* See Product Part of Number

Tolerance:

K  $\pm$ 10%; L  $\pm$ 15%; M  $\pm$ 20%; N  $\pm$ 30%

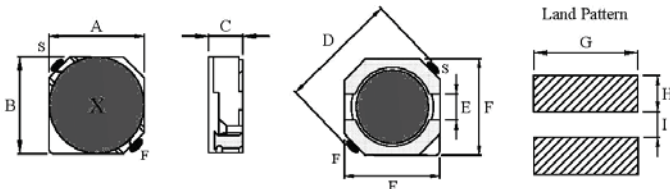
**Configurations & Dimension**

Unit:mm

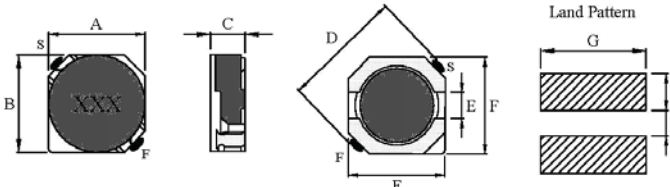
TYPE	A (max)	B (max)	C (max)	D (max)	E (ref.)	F	G	H	I	Packing
										$\Phi$ 178/ $\Phi$ 330
RH3D11	4.0	4.0	1.2	5.2	1.2	3.7	4.3	1.7	1.0	1K5/5K pc
RH3D14LD	4.0	4.0	1.5	5.2	1.2	3.7	4.3	1.7	1.0	--/3K pc
RH3D14HP	4.0	4.0	1.5	5.2	1.2	3.7	4.3	1.7	1.0	--/3K pc
RH3D16	4.0	4.0	1.8	5.2	1.2	3.7	4.3	1.7	1.0	--/3K pc
RH3D28	4.0	4.0	3.0	5.2	1.2	3.7	4.3	1.7	1.0	--/2K pc

\*Design as Customers Requested Specifications (可依特殊需求設計生產)

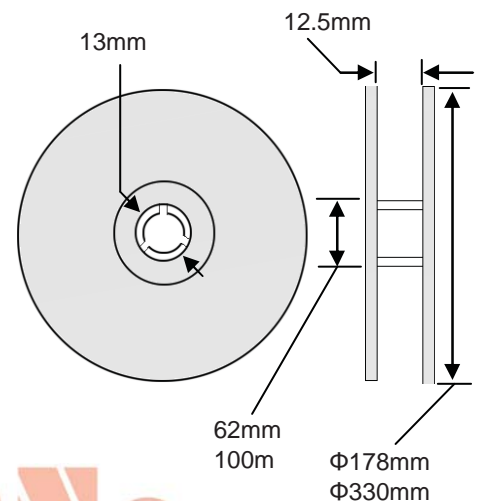
RH3D11; RH3D14LD; RH3D14HP; RH3D28



RH3D16



**Reel Type Dimension**



**SINLOON®**

\*美隆公司產品規格及其特性參數的改變或更新恕不另行通知。

\*Mayloon characteristic parameters of electronic product specification changes or updates without notice to improve



SINLOON®

閉磁式功率電感

Inductance Range: 1.2μH ~ 47μH

TYPE: RH3D Series

SMT Shielded Power Inductors

□ Electrical Characteristics for RH3D11 Series

產品規格型號 Ordering Part Number	電感值(L) Inductance (μH)	測試頻率 Test Freq. (KHz)	直流阻抗 DCR (Ω) (max)	定格電流 Isat (A) (max)	溫升電流 Irms(A) (max)	字碼 Marking Code
RH3D11-2R7N	2.70	100	0.078	0.53	1.82	U
RH3D11-4R7N	4.70	100	0.123	0.40	1.38	E
RH3D11-6R8N	6.80	100	0.180	0.34	1.05	F
RH3D11-8R2N	8.20	100	0.204	0.32	0.95	V
RH3D11-100M	10.0	100	0.240	0.28	0.90	G
RH3D11-120M	12.0	100	0.276	0.25	0.81	H
RH3D11-150M	15.0	100	0.372	0.23	0.68	I
RH3D11-180M	18.0	100	0.468	0.21	0.58	J
RH3D11-220M	22.0	100	0.540	0.19	0.53	K
RH3D11-270M	27.0	100	0.726	0.17	0.48	L
RH3D11-330M	33.0	100	0.822	0.15	0.41	M
RH3D11-390M	39.0	100	0.942	0.14	0.40	N



- ※ Test Frequency: 100KHz / 0.1V
- ※ Operating Temperature: -40°C ~ +85°C
- ※ Inductance drop : 35% typ at Isat.
- ※ ΔT : 40°C rise at Irms.

□ Electrical Characteristics for RH3D14LD Series

產品規格型號 Ordering Part Number	電感值(L) Inductance (μH)	測試頻率 Test Freq. (KHz)	直流阻抗 DCR (Ω) (max)	定格電流 Isat (A) (max)	溫升電流 Irms(A) (max)	字碼 Marking Code
RH3D14LD-1R2N	1.2	100	0.0380	1.50	2.70	LA
RH3D14LD-1R5N	1.5	100	0.0480	1.35	2.40	LB
RH3D14LD-2R2N	2.2	100	0.0550	1.15	2.20	LC
RH3D14LD-2R7N	2.7	100	0.0680	1.05	1.90	LD
RH3D14LD-3R3N	3.3	100	0.0770	0.95	1.60	LE
RH3D14LD-3R9N	3.9	100	0.0960	0.80	1.50	LF
RH3D14LD-4R7N	4.7	100	0.1050	0.75	1.45	LG
RH3D14LD-5R6N	5.6	100	0.1590	0.70	1.10	LH
RH3D14LD-6R8N	6.8	100	0.1730	0.60	1.05	LI
RH3D14LD-8R2N	8.2	100	0.1750	0.52	1.00	LJ
RH3D14LD-100M	10.0	100	0.2200	0.50	1.00	LK
RH3D14LD-120M	12.0	100	0.2700	0.45	0.80	LL
RH3D14LD-150M	15.0	100	0.3020	0.40	0.75	LM
RH3D14LD-220M	22.0	100	0.4470	0.35	1.60	LO
RH3D14LD-330M	33.0	100	0.8480	0.30	0.40	LQ
RH3D14LD-470M	47.0	100	1.0800	0.25	0.35	LS

- ※ Test Frequency: 100KHz / 0.1V
- ※ Operating Temperature: -40°C ~ +85°C
- ※ Inductance drop : 35% typ at Isat.
- ※ ΔT : 40°C rise at Irms.
- ※ Design as Customers Requested Specifications (可依特殊需求設計生產)

SINLOON®



□ Electrical Characteristics for RH3D14HP Series

產品規格型號 Ordering Part Number	電感值(L) Inductance (μH)	測試頻率 Test Freq. (KHz)	直流阻抗 DCR (Ω) (max)	定格電流 Isat (A) (max)	溫升電流 I <sub>rms</sub> (A) (max)	字碼 Marking Code
RH3D14HP-1R5N	1.5	100	0.076	2.600	1.85	HB
RH3D14HP-2R4N	2.4	100	0.129	2.000	1.32	HC
RH3D14HP-3R2N	3.2	100	0.139	1.800	1.25	HE
RH3D14HP-4R7N	4.7	100	0.214	1.450	1.04	HG
RH3D14HP-6R8N	6.8	100	0.290	1.200	0.84	HH
RH3D14HP-100M	10	100	0.440	1.000	0.67	HJ
RH3D14HP-150M	15	100	0.650	0.800	0.50	HL
RH3D14HP-220M	22	100	0.830	0.650	0.48	HN



- ※ Test Frequency: 100KHz / 0.1V
- ※ Operating Temperature: -40°C ~ +85°C
- ※ Inductance drop : 35% typ at Isat.
- ※ ΔT : 40°C rise at I<sub>rms</sub>.

□ Electrical Characteristics for RH3D16 Series

產品規格型號 Ordering Part Number	電感值(L) Inductance (μH)	測試頻率 Test Freq. (KHz)	直流阻抗 DCR (Ω) (max)	定格電流 Isat (A) (max)	字碼 Marking Code
RH3D16-1R5N	1.5	100	0.052	1.550	1R5
RH3D16-2R2N	2.2	100	0.072	1.200	2R2
RH3D16-3R3N	3.3	100	0.085	1.100	3R3
RH3D16-4R7N	4.7	100	0.105	0.900	4R7
RH3D16-6R8N	6.8	100	0.170	0.730	6R8
RH3D16-100N	10	100	0.210	0.550	100
RH3D16-150N	15	100	0.295	0.450	150
RH3D16-220N	22	100	0.430	0.400	220
RH3D16-330N	33	100	0.675	0.320	330

- ※ Test Frequency: 100KHz / 0.1V
- ※ Operating Temperature: -40°C ~ +85°C
- ※ Inductance drop : 35% typ at Isat.

□ Electrical Characteristics for RH3D28 Series

產品規格型號 Ordering Part Number	電感值(L) Inductance (μH)	測試頻率 Test Freq. (KHz)	直流阻抗 DCR (Ω) (max)	定格電流 Isa (A) (max)	溫升電流 I <sub>rms</sub> (A) (max)	字碼 Marking
RH3D28-3R3N	3.3	100	0.0721	2.000	1.85	D
RH3D28-4R7N	4.7	100	0.0883	1.650	1.62	E
RH3D28-6R8N	6.8	100	0.1190	1.240	1.32	F
RH3D28-100M	10	100	0.1450	1.050	1.18	G
RH3D28-150m	15	100	0.2130	0.900	1.02	I
RH3D28-220M	22	100	0.3350	0.760	0.74	K
RH3D28-330M	33	100	0.4810	0.580	0.63	M
RH3D28-470M	47	100	0.5990	0.480	0.56	O

- ※ Test Frequency: 100KHz / 0.1V
- ※ Operating Temperature: -40°C ~ +85°C
- ※ Inductance drop : 35% typ at Isat.
- ※ ΔT : 40°C rise at I<sub>rms</sub>.
- ※ Design as Customers Requested Specifications (可依特殊需求設計生產)

SINLOON®

※美隆公司產品規格及其特性參數的改變或更新恕不另行通知。  
※Mayloon characteristic parameters of electronic product specification changes or updates without notice to improve

