

SINLOON®

閉磁式功率電感

Inductance Range: 1.0μH ~ 390μH

TYPE: RH4D Series

SMT Shielded Power Inductors

SMT Shielded Power Inductors

RH4D18 Inductance Range 1.0H ~ 180μH

RH4D28 Inductance Range 1.2H ~ 390μH

□ Figure



□ Feature

- ◆ Magnetically shielded construction (閉磁路構造設計)
- ◆ Compact and thin (輕便薄小)
- ◆ Large Current and Low DCR (大電流低直流阻抗)

□ Applications

- ◆ DC-DC converter of portable equipment. (攜帶機器之直流轉換器)
- ◆ Camcorder, LCD television set, Digital camera, P.D.A., Notebook. (攝影機、液晶電視、數位相機、P.D.A.、筆記型電腦)

□ Ordering

Product Identification of Part Number

Type: Ex. RH4D18-1R0N

* See Product Part of Number

Tolerance:

K ±10%; L ±15%; M ±20%; N ±30%

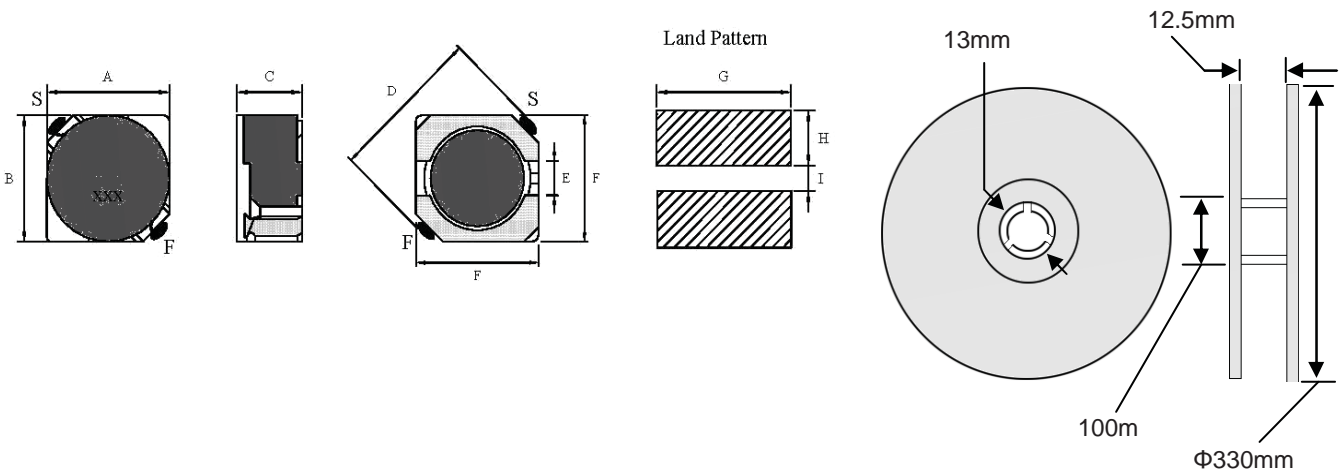
□ Configurations & Dimension

Unit:mm

TYPE	A	B	C (max)	D (max)	E (ref.)	F (ref.)	G	H	I	Packing
										Φ330
RH4D18	4.7±0.3	4.7±0.3	2.0	6.9	1.5	4.5	5.3	1.9	1.5	2000pcs
RH4D28	4.7±0.3	4.7±0.3	3.0	6.9	1.5	4.5	5.3	1.9	1.5	2000pcs

※Design as Customers Requested Specifications (可依特殊需求設計生產)

□ Reel Type Dimension



SINLOON®

※美隆公司產品規格及其特性參數的改變或更新恕不另行通知。

※Mayloon characteristic parameters of electronic product specification changes or updates without notice to improve



SINLOON®

閉磁式功率電感

Inductance Range: 1.0μH ~ 180μH

TYPE: RH4D18 Series

SMT Shielded Power Inductors

□ Electrical Characteristics for RH4D18 Series RH4D18 Inductance Range 1.0H ~ 180μH

產品規格型號 Ordering Part Number	電感值(L) Inductance (μH)	測試頻率 Test Frequency (KHz)	直流阻抗 DCR (Ω) (max)	定格電流 IDC (A) (max)	字碼 Marking Code
RH4D18-1R0N	1.00	100	0.045	1.72	1R0
RH4D18-2R2N	2.20	100	0.075	1.62	2R2
RH4D18-2R7N	2.70	100	0.105	1.28	2R7
RH4D18-3R3N	3.30	100	0.110	1.04	3R3
RH4D18-3R9N	3.90	100	0.155	0.88	3R9
RH4D18-4R7N	4.70	100	0.162	0.84	4R7
RH4D18-5R6N	5.60	100	0.170	0.80	5R6
RH4D18-6R8N	6.80	100	0.200	0.76	6R8
RH4D18-8R2N	8.20	100	0.245	0.68	8R2
RH4D18-100M	10.0	100	0.200	0.61	100
RH4D18-120M	12.0	100	0.210	0.56	120
RH4D18-150M	15.0	100	0.240	0.50	150
RH4D18-180M	18.0	100	0.338	0.48	180
RH4D18-220M	22.0	100	0.397	0.41	220
RH4D18-270M	27.0	100	0.441	0.35	270
RH4D18-330M	33.0	100	0.694	0.32	330
RH4D18-390M	39.0	100	0.709	0.30	390
RH4D18-470M	47.0	100	0.922	0.28	470
RH4D18-560M	56.0	100	1.080	0.26	560
RH4D18-680M	68.0	100	1.300	0.24	680
RH4D18-820M	82.0	100	1.550	0.22	820
RH4D18-101M	100.0	100	1.730	0.20	101
RH4D18-121M	120.0	100	2.390	0.18	121
RH4D18-151M	150.0	100	2.670	0.15	151
RH4D18-181M	180.0	100	4.000	0.14	181

※ Test Frequency: 100KHz / 0.1V

※ Operating Temp. : -40°C ~ +85°C

※ Inductance Drop = 35% Typ. At IDC

SINLOON®

※美隆公司產品規格及其特性參數的改變或更新恕不另行通知。

※Mayloon characteristic parameters of electronic product specification changes or updates without notice to improve



□ Electrical Characteristics for RH4D28 Series RH4D28 Inductance Range 1.2H ~ 390μH

產品規格型號 Ordering Part Number	電感值(L) Inductance (μH)	測試頻率 Test Frequency (KHz)	直流阻抗 DCR (Ω) (max)	定格電流 IDC (A) (max)	字碼 Marking Code
RH4D28-1R2N	1.20	100	0.0236	2.560	1R2
RH4D28-1R8N	1.80	100	0.0275	2.200	1R8
RH4D28-2R2N	2.20	100	0.0313	2.040	2R2
RH4D28-2R7N	2.70	100	0.0433	1.600	2R7
RH4D28-3R3N	3.30	100	0.0492	1.570	3R3
RH4D28-3R9N	3.90	100	0.0648	1.440	3R9
RH4D28-4R7N	4.70	100	0.0720	1.320	4R7
RH4D28-5R6N	5.60	100	0.1009	1.170	5R6
RH4D28-6R8N	6.80	100	0.1089	1.120	6R8
RH4D28-8R2N	8.20	100	0.1175	1.040	8R2
RH4D28-100M	10.0	100	0.1283	1.000	100
RH4D28-120M	12.0	100	0.1316	0.840	120
RH4D28-150M	15.0	100	0.1490	0.760	150
RH4D28-180M	18.0	100	0.1660	0.720	180
RH4D28-220M	22.0	100	0.2350	0.700	220
RH4D28-270M	27.0	100	0.2610	0.580	270
RH4D28-330M	33.0	100	0.3780	0.560	330
RH4D28-390M	39.0	100	0.3837	0.500	390
RH4D28-470M	47.0	100	0.5870	0.480	470
RH4D28-560M	56.0	100	0.6245	0.410	560
RH4D28-680M	68.0	100	0.6990	0.350	680
RH4D28-820M	82.0	100	0.9148	0.320	820
RH4D28-101M	100	100	1.0200	0.290	101
RH4D28-121M	120	100	1.2700	0.270	121
RH4D28-151M	150	100	1.3500	0.240	151
RH4D28-181M	180	100	1.5400	0.220	181
RH4D28-221M	220	100	1.7200	0.200	221
RH4D28-271m	270	100	1.9500	0.160	271
RH4D28-331M	330	100	2.6600	0.140	331
RH4D28-391M	390	100	2.8300	0.130	391

- ※ Test Frequency: 100KHz / 0.1V
- ※ Operating Temp. : -40°C ~ +85°C
- ※ Inductance Drop = 35% Typ. At IDC



※美隆公司產品規格及其特性參數的改變或更新恕不另行通知。
 ※Mayloon characteristic parameters of electronic product specification changes or updates without notice to improve

