

SINLOON®

閉磁式功率電感

Inductance Range: 2.6μH ~ 680μH

TYPE: RH5D Series

SMT Shielded Power Inductors

SMT Shielded Power Inductors

RH5D18 Inductance Range: 4.1μH ~ 330μH

RH5D28 Inductance Range: 2.6μH ~ 680μH

□ Figure



□ Feature

- ◆ Magnetically shielded construction (閉磁路構造設計)
- ◆ Compact and thin (輕便薄小)
- ◆ Large Current and Low DCR (大電流低直流阻抗)

□ Applications

- ◆ DC-DC converter of portable equipment. (攜帶機器之直流轉換器)
- ◆ Camcorder, LCD television set, Digital camera, P.D.A., Notebook. (攝影機、液晶電視、數位相機、P.D.A.、筆記型電腦)

□ Ordering

Product Identification of Part Number

Type: Ex. RH5D18-4R1N

* See Product Part of Number

Tolerance:

K ±10%; L ±15%; M ±20%; N ±30%

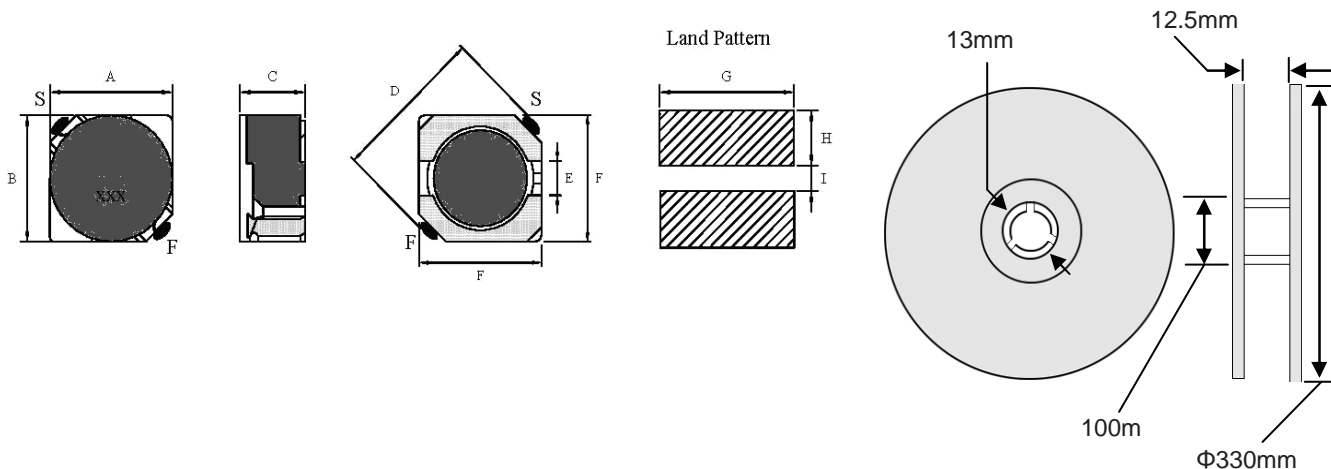
□ Configurations & Dimension

Unit:mm

| TYPE | A | B | C (max) | D (max) | E (ref.) | F (ref.) | G | H | I | Packing |
|--------|---------|---------|------------|------------|-------------|-------------|-----|------|-----|---------|
| | | | | | | | | | | Φ330 |
| RH5D18 | 5.7±0.3 | 5.7±0.3 | 2.0 | 8.2 | 2.0 | 5.5 | 6.3 | 2.15 | 2.0 | 2000pcs |
| RH5D28 | 5.7±0.3 | 5.7±0.3 | 3.0 | 8.2 | 2.0 | 5.5 | 6.3 | 2.15 | 2.0 | 2000pcs |

※Design as Customers Requested Specifications (可依特殊需求設計生產)

□ Reel Type Dimension



SINLOON®

※美隆公司產品規格及其特性參數的改變或更新恕不另行通知。

※Mayloon characteristic parameters of electronic product specification changes or updates without notice to improve



SINLOON®

閉磁式功率電感

Inductance Range: 4.1μH ~ 330μH

TYPE: RH5D18 Series

SMT Shielded Power Inductors

□ **Electrical Characteristics for RH5D18 Series** RH5D18 Inductance Range: 4.1μH ~ 330μH

| 產品規格型號 Ordering Part Number | 電感值(L) Inductance (μH) | 測試頻率 Test Frequency (KHz) | 直流阻抗 DCR (Ω) (max) | 定格電流 IDC (A) (max) | 字碼 Marking Code |
|-----------------------------------|------------------------------|---------------------------------|--------------------------|--------------------------|-----------------------|
| RH5D18-4R1N | 4.10 | 10 | 0.0570 | 1.950 | 4R1 |
| RH5D18-5R4N | 5.40 | 10 | 0.0760 | 1.600 | 5R4 |
| RH5D18-6R2N | 6.20 | 10 | 0.0960 | 1.400 | 6R2 |
| RH5D18-8R9N | 8.90 | 10 | 0.1160 | 1.250 | 8R9 |
| RH5D18-100M | 10.0 | 10 | 0.1240 | 1.200 | 100 |
| RH5D18-120M | 12.0 | 10 | 0.1530 | 1.100 | 120 |
| RH5D18-150M | 15.0 | 10 | 0.1960 | 0.970 | 150 |
| RH5D18-180M | 18.0 | 10 | 0.2100 | 0.850 | 180 |
| RH5D18-220M | 22.0 | 10 | 0.2900 | 0.800 | 220 |
| RH5D18-270M | 27.0 | 10 | 0.3300 | 0.750 | 270 |
| RH5D18-330M | 33.0 | 10 | 0.3860 | 0.650 | 330 |
| RH5D18-390M | 39.0 | 10 | 0.5200 | 0.570 | 390 |
| RH5D18-470M | 47.0 | 10 | 0.5950 | 0.540 | 470 |
| RH5D18-560M | 56.0 | 10 | 0.6650 | 0.500 | 560 |
| RH5D18-680M | 68.0 | 10 | 0.8400 | 0.430 | 680 |
| RH5D18-820M | 82.0 | 10 | 0.9780 | 0.410 | 820 |
| RH5D18-101M | 100.0 | 10 | 1.2000 | 0.360 | 101 |
| RH5D18-121M | 120.0 | 10 | 1.5000 | 0.330 | 121 |
| RH5D18-151M | 150.0 | 10 | 1.7100 | 0.310 | 151 |
| RH5D18-181M | 180.0 | 10 | 2.2400 | 0.280 | 181 |
| RH5D18-221M | 220.0 | 10 | 2.4400 | 0.230 | 221 |
| RH5D18-271M | 270.0 | 10 | 3.3800 | 0.210 | 271 |
| RH5D18-331M | 330.0 | 10 | 4.3400 | 0.180 | 331 |

※ Test Frequency: 100KHz / 0.1V

※ Operating Temp. : -40°C ~ +85°C

※ Inductance Drop = 35% Typ. At IDC

※ Design as Customers Requested Specifications (可依特殊需求設計生產)



※美隆公司產品規格及其特性參數的改變或更新恕不另行通知。

※Mayloon characteristic parameters of electronic product specification changes or updates without notice to improve



□ **Electrical Characteristics for RH5D28 Series** RH5D28 Inductance Range: 2.6μH ~ 680μH

| 產品規格型號 Ordering Part Number | 電感值(L) Inductance (μH) | 測試頻率 Test Frequency (KHz) | 直流阻抗 DCR (Ω) (max) | 定格電流 IDC (A) (max) | 字碼 Marking Code |
|-----------------------------------|------------------------------|---------------------------------|--------------------------|--------------------------|-----------------------|
| RH5D28-2R6N | 2.60 | 10 | 0.018 | 2.60 | 2R6 |
| RH5D28-3R0N | 3.00 | 10 | 0.024 | 2.40 | 3R0 |
| RH5D28-4R2N | 4.20 | 10 | 0.031 | 2.20 | 4R2 |
| RH5D28-5R3N | 5.30 | 10 | 0.038 | 1.90 | 5R3 |
| RH5D28-6R2N | 6.20 | 10 | 0.045 | 1.80 | 6R2 |
| RH5D28-8R2N | 8.20 | 10 | 0.053 | 1.60 | 8R2 |
| RH5D28-100M | 10.00 | 10 | 0.065 | 1.30 | 100 |
| RH5D28-120M | 12.00 | 10 | 0.076 | 1.20 | 120 |
| RH5D28-150M | 15.00 | 10 | 0.103 | 1.10 | 150 |
| RH5D28-180M | 18.00 | 10 | 0.110 | 1.00 | 180 |
| RH5D28-220M | 22.0 | 10 | 0.122 | 0.90 | 220 |
| RH5D28-270M | 27.0 | 10 | 0.175 | 0.85 | 270 |
| RH5D28-330M | 33.0 | 10 | 0.189 | 0.75 | 330 |
| RH5D28-390M | 39.0 | 10 | 0.212 | 0.70 | 390 |
| RH5D28-470M | 47.0 | 10 | 0.260 | 0.62 | 470 |
| RH5D28-560M | 56.0 | 10 | 0.305 | 0.58 | 560 |
| RH5D28-680M | 68.0 | 10 | 0.355 | 0.52 | 680 |
| RH5D28-820M | 82.0 | 10 | 0.463 | 0.46 | 820 |
| RH5D28-101M | 100.0 | 10 | 0.520 | 0.42 | 101 |
| RH5D28-121M | 120.0 | 10 | 0.560 | 0.40 | 121 |
| RH5D28-151M | 150.0 | 10 | 0.680 | 0.35 | 151 |
| RH5D28-181M | 180.0 | 10 | 0.930 | 0.32 | 181 |
| RH5D28-221M | 220.0 | 10 | 1.150 | 0.30 | 221 |
| RH5D28-271M | 270.0 | 10 | 1.560 | 0.27 | 271 |
| RH5D28-331M | 330.0 | 10 | 1.980 | 0.25 | 331 |
| RH5D28-391M | 390.0 | 10 | 2.500 | 0.22 | 391 |
| RH5D28-471M | 470.0 | 10 | 2.700 | 0.20 | 471 |
| RH5D28-561M | 560.0 | 10 | 3.120 | 0.18 | 561 |
| RH5D28-681M | 680.0 | 10 | 4.150 | 0.16 | 681 |

※ Test Frequency: 100KHz / 0.1V

※ Operating Temp. : -40°C ~ +85°C

※ Inductance Drop = 35% Typ. At IDC

※ Design as Customers Requested Specifications (可依特殊需求設計生產)



※美隆公司產品規格及其特性參數的改變或更新恕不另行通知。

※Mayloon characteristic parameters of electronic product specification changes or updates without notice to improve

