

Feature:

- With an integral rotary potentiometer.
- With a combined switch or pushbutton.
- Permit the continuous dimming or electronic ballasts with a low-voltage interface of 1-10V as source.
- No additional voltage supply.
- Suitable for direct -switching of the lamps up to the stated nominal current.
- Used to actuate contactors for larger switching outputs.

LED Light Frame

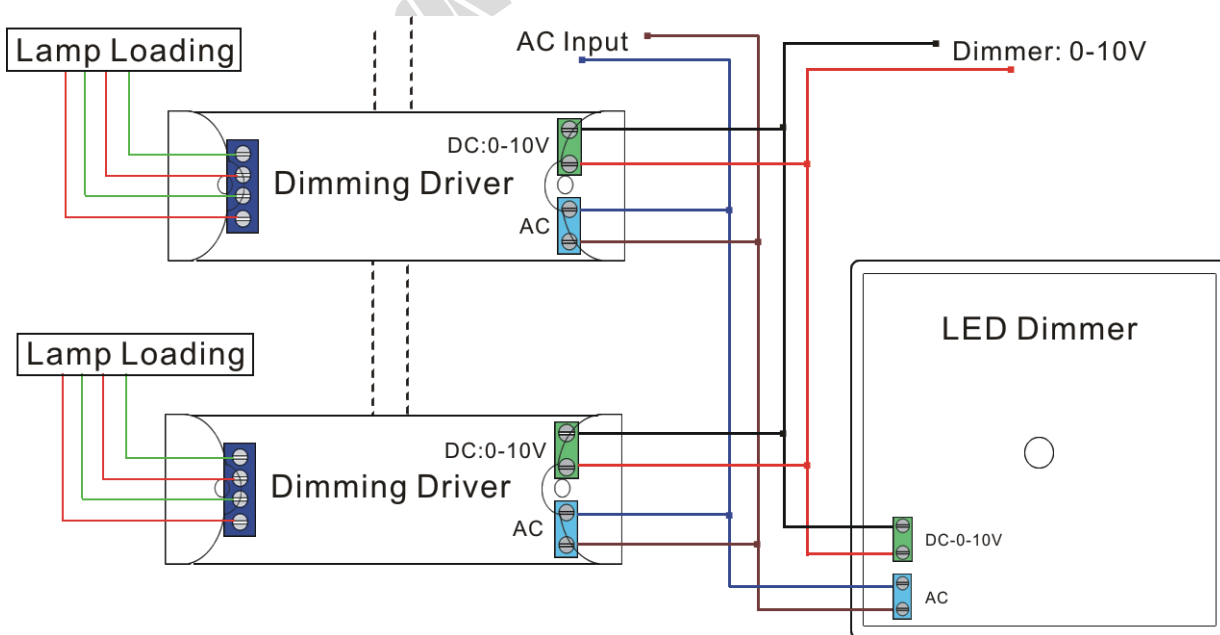


Dimension: 86\*86\*55mm

Data Specification:

Model No.	Switch type	Output connection	Load Output (Max.)	Load Switch output	Max. cables
DIM-D01	Combined switch	DC 1 - 10V	20mA	5A	100M
DIM-D02	Push button	DC 1 - 10V	20mA	5A	100M

LED Dimmer wiring diagram :



Remark: Must be according to the dimmer of the wiring diagrams correct wiring.

產品說明:

- ◎ 不需要添加任何外接電源.
- ◎ 可以用於直接控制電燈開關.
- ◎ 產品具有完整的旋轉分壓功能無頻閃.
- ◎ 可以通過控制交流接觸器來控制大電流.
- ◎ 旋轉調光開關或按鈕調光開關二種型號可供選擇.
- ◎ 適用於低壓控制並接合有0-10V接口的可調光LED鎮流器一起使用.
- ◎ 產品必須按照調光器線路圖正確連接.