

SINLOON®

LED 軌道射燈

突出主體展現形象

LED Track Light - Protruding main part to show image

Model No. VT447226 (26W)

Feature:

Figure Size (外型): A fine selection of different size: (有不同型號的外型選擇)

Material(材質): Aluminum metal. (鋁合金)

On lighting: Transient to start (即刻啟動)

Input voltage: AC100~240V 50/60Hz (市電電壓)

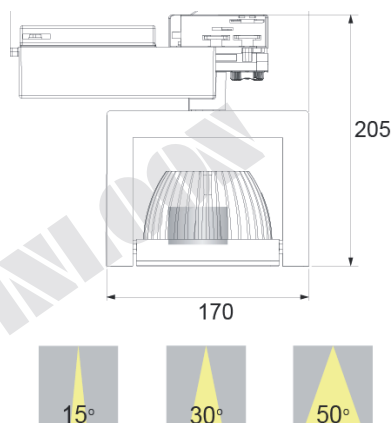
Shine: To product light not flashing (無頻閃)

Application: Showcase, Household, Hotel, Restaurant. (玻璃陳列櫃櫥窗等)

Figure (外型)



Dimension:



Characteristic Parameters:

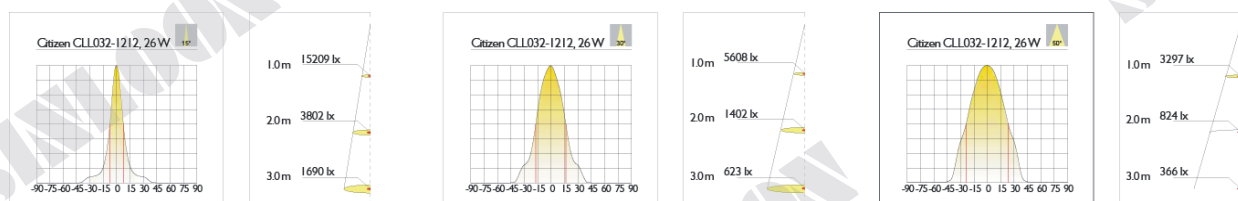
型號 Model No.:	VT447226
尺寸 Dimension (L*W*):	See Dimension
發光尺寸 The Emitting Size:	Φ170mm
輸入電壓(外置電源) Input Voltage (External Adaptor):	AC100V~240V 50/60Hz
電流 Current:	0.7A
燈源 LED Light Source:	Citizen CLL032-1212
類型 LED Type:	SMD-1212
功率 System Power (W) :	26W ±5%
光通亮 LED Flux (lm):	2100lm ±5% 80lm/W
色溫 Color Temperature (K)	3000K ±7%
顯色指數 Color Rendering Index:	>80 Ra
發光角度 Illumination Angle:	15°~ 50°
壽命 Lifespan:	25000hrs
環境溫度 Ambient Temperature (C):	-20°C ~ 50°C
外殼顏色 Case Color:	Black/White/Sever Color (黑/白/銀色)
認證 Certificate:	CE, RoHS, CQC, IP20.

* If you have any question which is not in the specification, please contact us.

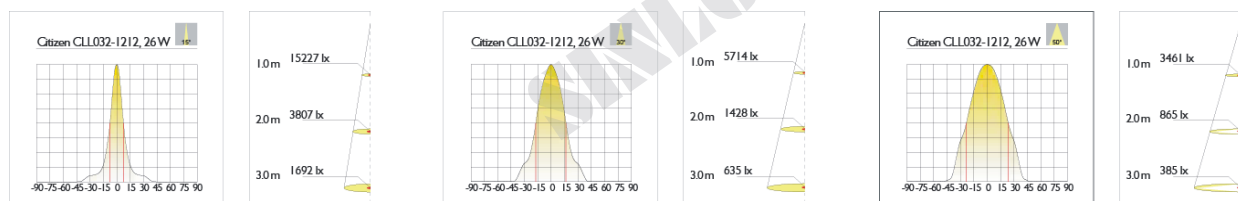
*在本規格書裡如果您未能找或參數指標未能達到你的應用要求即未在本規格書裡表現出來請與我們聯絡。

Color temperature (Tc):

Warm White 3000K



Neutral White 4000K



VT447226

※美隆照明有限公司產品規格及其特性參數的改變和更新不會預先通知。

※Mayloon characteristic parameters of electronic product specification changes or updates without notice to improve