

SINLOON®

LED 筒燈/天花燈

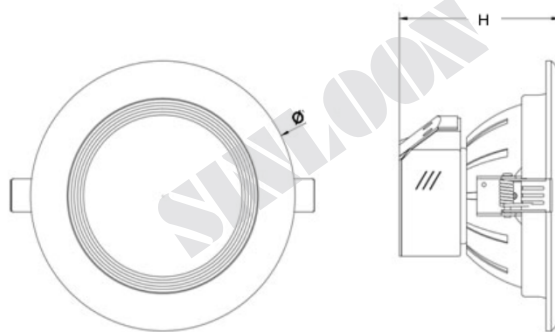
LED Down Light - 138

Data Specification:



□ Performance & parameter of product

Model No.	Part Number	OT13860-16W	OT13880-24W
Performance Parameter	Lamp	Warm white/Natural white/Cool white	
	Lumen (lm)	1300lm/1400lm/1500lm	1900/2000lm/2100lm
	Color temperature (K)	3000K/4200K/6500K	3000K/4200K/6500K
	CRI	≥70	≥70
	Type of LED	SMD 2835	SMD 2835
	Beam angle	107°	107°
	Decay rate (%)	less than 3% within 1000 working hours	
	Total power (W)	15-17W	23-26W
	Lifespan (Hrs)	≥30000Hrs	≥30000Hrs
	High voltage testing	1750Vac/1min	1750Vac/1min
LED parameter	Lighting efficiency	100LM/W	100LM/W
	Chip quantity	80PCS	120PCS
	Series-parallel way	16S5P	24S5P
	Voltage	48-53VDC	72-80VDC
	Current	300mA	300mA
Driver Parameter	Input parameter	100~240VAC · 50/60Hz	
	Power factor	0.9	0.9
	Output parameter	42-55VDC,300mA	70-85VDC,300mA
Structure Parameter	Material	Cast-Aluminium	Cast-Aluminium
	Dimension	φ190*H86mm	φ220*H93.4mm
	Cut-out	φ160mm	φ170mm
	Protection class	calss II	calss II
	Ingress Protection	IP20	IP20
Environment Parameter	Application	Hotel,Home-lighting,Recreation place,Supermarket,Office building.	
	Operating temperature	-25℃ ~ 50℃、10% ~ 90% R.H.	
	Storage temperature	-30℃ ~ 85℃、0% ~ 95% R.H.	
Packing Specification	Qty/Ctn	8PCS/Ctn	8PCS/Ctn



* Others data not in the specification of data, please contact us.
如果你要求的規格參數不在本規格書裡表現出來請與我們聯絡。