

Model No.CT-F601224-11 (40W/3000lm)

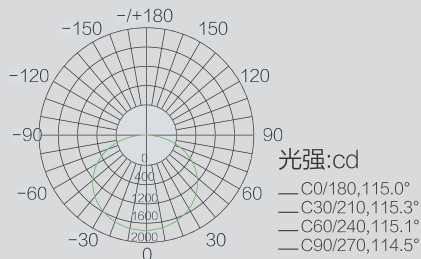
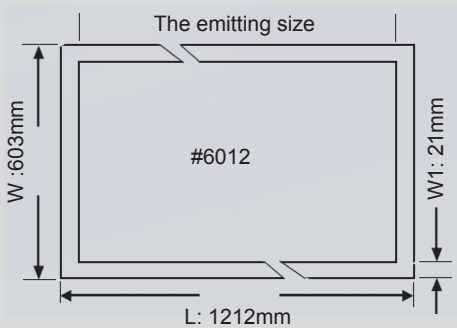
Feature:

- ◆ Frame size: Ultra-thin devise 10.9mm
- ◆ Frame material: Aluminum metal
- ◆ Voltage Type: Constant current
- ◆ On lighting: Transient to start
- ◆ Input Voltage: AC220-240V / 50/60Hz
- ◆ Light source: LED SMD5630 chip diode
- ◆ Shine: To product light not flashing
- ◆ Panel: Ultra-thin guiding light, Energy conservation



Silver-gray Aluminum frame

#6012



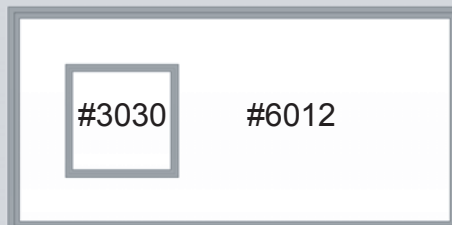
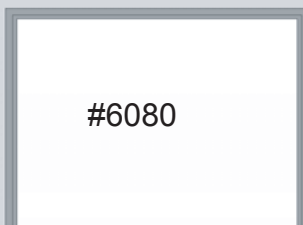
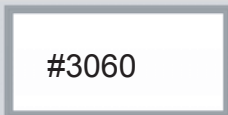
平均光束角 (50%) : 115.0°

Characteristic Parameters:

型號 Model:	CT-F601224-11
尺寸 Dimension (L*W*T):	6032*1212*10.9mm
發光尺寸 The Emitting Size:	565*1174mm
輸入電壓 Input Voltage (High efficiency):	AC110V~240V 50/60Hz
輸出電壓 Output Voltage:	28.8V/DC
電流 Current:	1.2A
類型 LED Type:	SMD-5630
數量 LED Quantity:	180pcs
功率 System Power (W):	40W ±5% / 300Lux
光通亮 LED Flux (lm):	3000lm ±5% (75lm/W)
燈具效率 Lighting Factor:	75%
色溫 Color Temperature (K)	3000K ±7%; 6500K ±8%
顯色指數 Color Rendering Index:	>82
發光角度 Illumination Angle:	120°
壽命 Lifespan:	50000hrs
環境溫度 Ambient Temperature (°C):	-20°C ~ 50°C
重量 Weight (Kg):	<8.0/kg
認證 Certificate:	BSMI,CE,RoHS, FCC.

* If you have any question which is not in this specification , please contact us. (在本規格書裡如果您未能找到或參數指標未能達到你的應用要求,即未在本規格書裡表現出來,請與我們聯絡)

◆ Comparison of defferent size:



CT-F601224-11