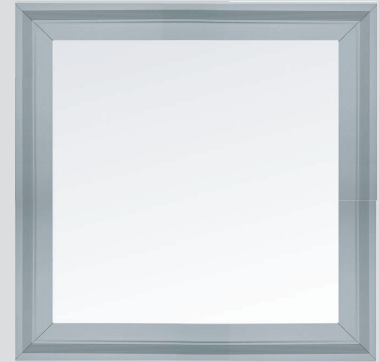


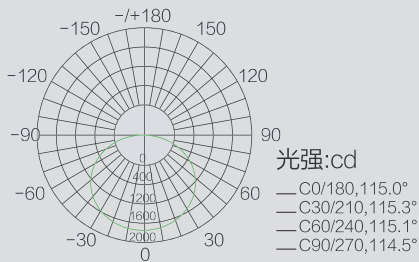
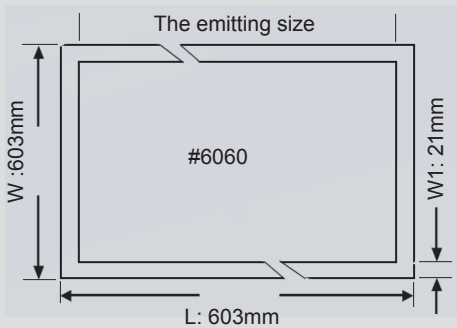
Model No. CT-F606042-19 (30W/2400lm)

**Feature:**

- ◆ Frame size: Ultra-thin devise 10.9mm
- ◆ Frame material: Aluminum metal
- ◆ Voltage Type: Constant current
- ◆ On lighting: Transient to start
- ◆ Input Voltage: AC220-240V / 50/60Hz
- ◆ Light source: LED SMD4014 chip diode
- ◆ Shine: To product light not flashing
- ◆ Panel: Ultra-thin guiding light, Energy conservation



Silver-gray Aluminum frame #6060



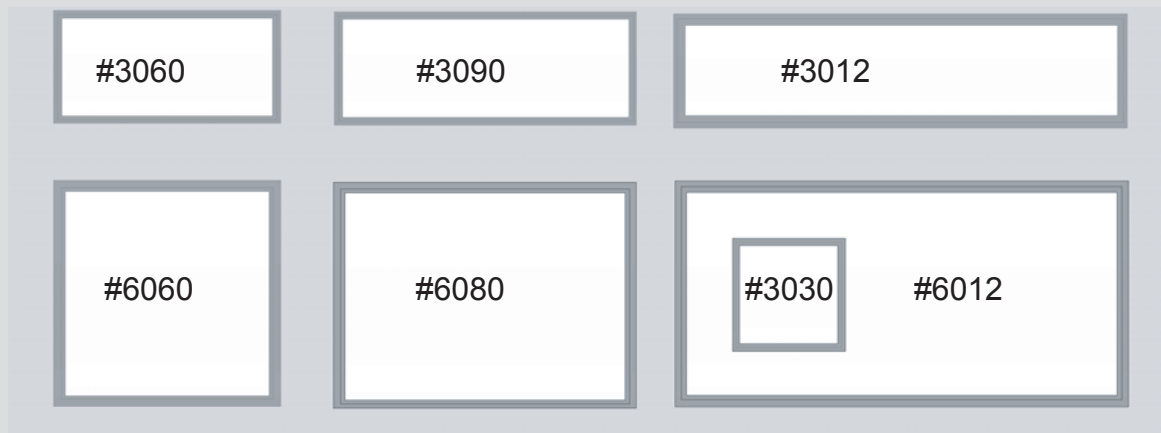
平均光束角 (50%) : 115.0°

**Characteristic Parameters:**

型號 Model:	<b>CT-F606042-19</b>
尺寸 Dimension (L*W*T):	603*603*10.9mm
發光尺寸 The Emitting Size:	565*565mm
輸入電壓 Input Voltage (High efficiency):	AC110V~240V 50/60Hz
輸出電壓 Output Voltage:	27.0V/DC
電流 Current:	1.0A
類型 LED Type:	SMD-4014
數量 LED Quantity:	180pcs
功率 System Power (W):	30W ±5% / 300Lux
光通亮 LED Flux (lm):	2400lm ±5% (80lm/W)
燈具效率 Lighting Factor:	80%
色溫 Color Temperature (K)	3000K ±7%; 4000K ±7%; 6000K ±8%
顯色指數 Color Rendering Index:	>70
發光角度 Illumination Angle:	113°
壽命 Lifespan:	50000hrs
環境溫度 Ambient Temperature (°C):	-20°C ~ 50°C
重量 Weight (Kg):	<3.0/kg
認證 Certificate:	RoHS, CQC.. IP20

\* If you have any question which is not in this specification , please contact us. (在本規格書裡如果您未能找到或參數指標未能達到你的應用要求, 即未在本規格書裡表現出來, 請與我們聯絡)

◆ Comparison of defferent size:



CT-F606042-19