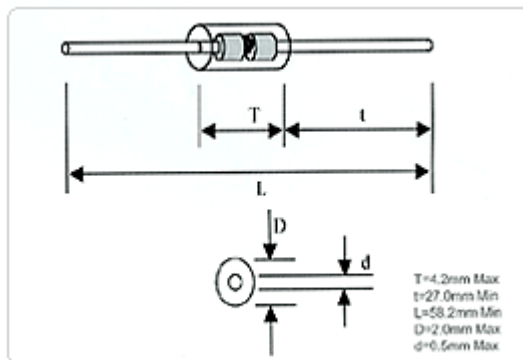


MLDT Series



FEATURES:

- High stability and best price.
- The MLDT Series thermistors is a thermistor sensor in a DO 35 package. It is highly reliable and offer a wide operating range of -50°C to 250°C.
- Excellent thermal cycle endurance.
- They can be employed for home electric appliances and high temperature applications.
- Glass sealed body for high reliability.

SPECIFICATIONS

Temperature rating -40°C to 250°C

B value : 3470K ~4450K

Determined by rated zero-power

Resistance at 25°C and 85°C

R25	B25/85
Rated zero-power	3 K ohms 5 K ohms
Resistance value at 25°C	10 K ohms 20 K ohms 30 K ohms 100 K ohms 150 K ohms 200 K ohms 844 K ohms 1 M K ohms

Tolerance ±1% ±3% ±5%

Dissipation constant Min. 2.4mW/°C

Thermal time constant Max 15 seconds in still air.

Maximum power Rating 250mw at 25°C

Tolerance ±1% ±2% ±3%

Order Map ML DT 103 F - □□□□

Series Code	Type	Res .value at 25°C	Res. tolerance	B value
ML	DT (Diode)	10 x 1000 Ω	F : 1%	25°C/85°C
Sensor	thermistor		H : 3%	
			J : 5%	