

水泥電阻器(SQM)系列

POWER RANGE: 2W~10W

SQM TYPE

CEMENT FIXED RESISTOR

FEATURE

- Exceptionally small and sturdy, mechanically safe, Excellent electrical characteristic
- Tolerance of $\pm 5\%$ and $\pm 10\%$ are standard.
- Non-inductive type are available on request.
- Heat and flame resistance
- The materials used and the construction techniques ensure excellent flame resistance, arc resistance and moisture resistance as well as self-extinguishing capabilities, They will withstand the most rigorous loading test.
- As resistors in radio and television receiver, The hazardous conditions of smoking and reheat can be completely prevented by the proper choice of power resistors.
- For high resistance value, The winding core will be replaced by metal oxide film core (RS Type)
- Applicable specifications: EIA RS-344 and EIA RC-649

FIGURE



ORDERING INFROMATION

Example: CM-SQM7W10R0J (7W 10R $\pm 5\%$)

Type	Power	Resistance (Ω)	Tolerance
CM-SQM	2W	0.1R = R100	H = $\pm 3\%$
CM-SQM	3W	1R00 = 1R00	J = $\pm 5\%$
CM-SQM	5W	10R0 = 10R0	K = $\pm 10\%$
CM-SQM	7W	100R = 101	
CM-SQM	10WS	1K = 102	
CM-SQM	10W	10K = 103	

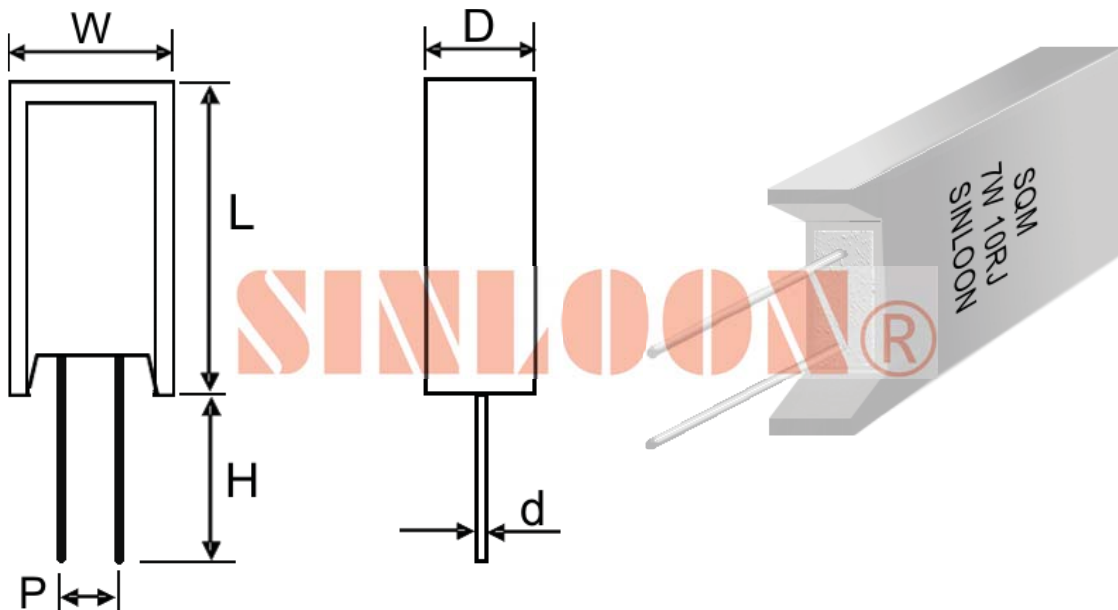


DIMENSION AND DATA RATING

Type CM-SQM	Dimension (mm)						Value Range (Ω)		Max working voltage
	L	H	W	D	P	d	Wire Wound	Metal oxide	
2W	20.0	5~15 ± 1	11.5	7.5	5.0 ± 2	0.65 ± 0.03	0.01~50	50~50K	150V
3W	25.0	5~15 ± 1	12.0	8.5	5.0 ± 2	0.8 ± 0.03	0.01~50	50~50K	300V
5W	25.0	5~15 ± 1	13.0	9.0	5.0 ± 2	0.8 ± 0.03	0.01~50	50~50K	350V
7W	39.0	5~15 ± 1	13.0	9.0	5.0 ± 2	0.8 ± 0.03	0.01~100	100~47K	500V
10WS	35.0	5~15 ± 1	16.0	12.0	7.5 ± 2	0.8 ± 0.03	0.01~100	100~47K	750V
10W	51.0	5~15 ± 1	13.0	9.0	5.0 ± 2	0.8 ± 0.03	0.01~100	100~47K	750V

* Resistance Range for standard resistance, Below of over this resistance request.

* Non-inductive type up 50 Ω only.



水泥電阻器(SQM)系列

POWER RANGE: 2W~10W

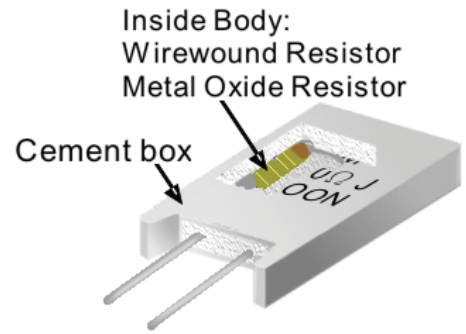
SQM TYPE

CEMENT FIXED RESISTOR

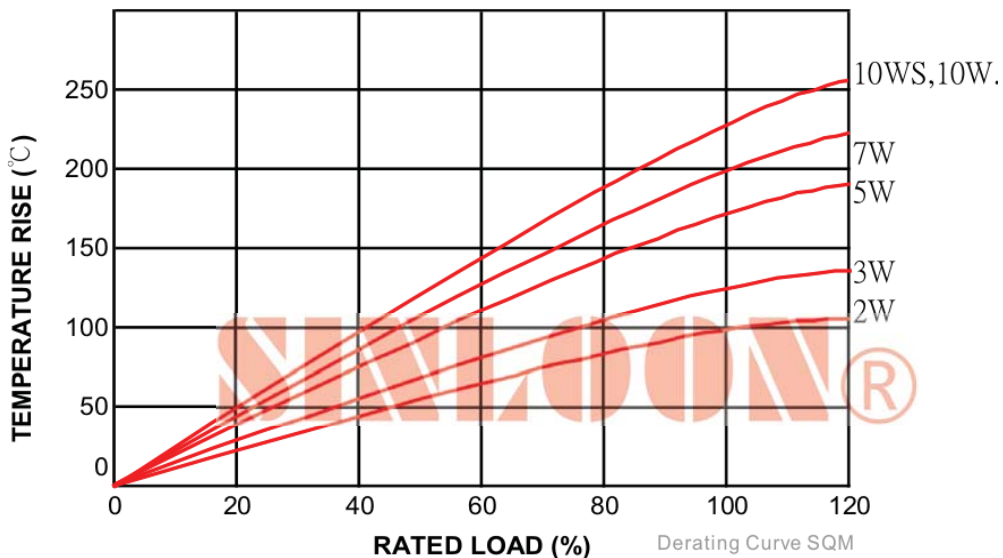
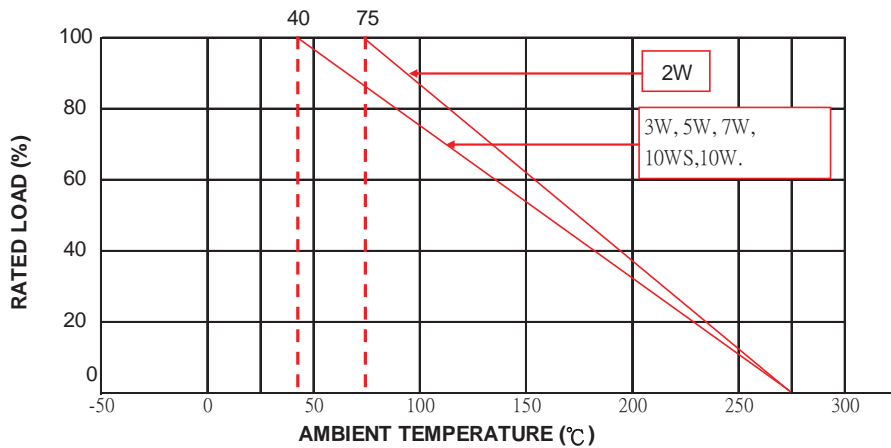
ENVIRONMENTAL CHARACTERISTICS :

PERFORMANCE TEST	APPRAISE
Short Time Overload	±2%+0.05Ω
Dielectric Withstanding Voltage	±2%+0.05Ω
Temperature Coefficient	MAX. 300ppm/°C
Insulation Resistance	≥ 100 MΩ
Solderability	95% min. coverage
Resistance to Solvent	no deterioration
Terminal Strength	≥ 2.5KG/24.5N
Pulse Overload	±2%+0.05Ω
Load Life in Humidity	±5%+0.05Ω
Load Life	±5%+0.05Ω
Temperature Cycling	±2%+0.05Ω
Soldering Heat	±2%+0.05Ω
Mositure resistance	±5%+0.05Ω
Shock and Vibration	±1%+0.05Ω
Effect of Soldering	±2%+0.05Ω

PRODUCT STRUCTURE



DERATING CURVE



水泥電阻器(SQM)系列

POWER RANGE: 2W~10W

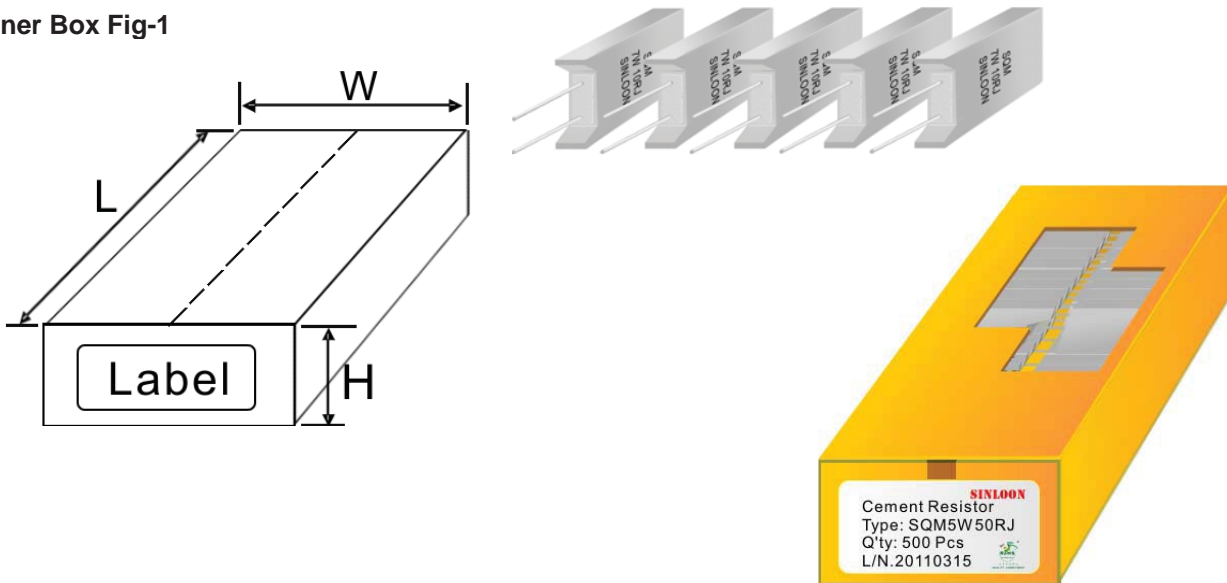
SQM TYPE

CEMENT FIXED RESISTOR

☐ PACKING

TYPE CM-SQM	Inner Box Dimension (cm)			Quantity	Carton Dimension (cm)			Quantity	Wight Gross
	L	W	H		L	W	H		
2W	26	15	11	500	31	27.5	47	4000	
3W	26	15	11	500	31	27.5	47	4000	
5W	26	15	11	500	31	27.5	47	4000	
7W	26	15	11	500	31	27.5	47	2000	
10WS	26	15	11	250	31	27.5	47	2000	
10W	26	15	11	200	31	27.5	47	1600	

Inner Box Fig-1



Carton Fig-2



※美隆電子產品規格特性參數的改變或更新,將不會另行通知。

※Mayloon characteristic parameters of electronic product specification changes or updates without prior notice.

