



水泥電阻溫度保險絲(CMO)系列

CMO TYPE

Cement Resistor With Thermal Cut-Offs

□ FEATURE

CMO - Cement Resistor Thermal Cut-offs include wire wound type, cement Resistor with Thermal Cut-offs is specially sharp fusing characteristics . low cost ,excellent anti-surge characteristics. Applications are widely used in Switching regulators, Video adapters or safety circuit in electrical equipment, etc..

水泥電阻溫度保險絲是一種不可復位型熱敏保護器件，用于家用電器及工業設備(電阻、電感電路)的過熱保護，它的設計不同於一般的溫度保險絲感應環境溫度，CMO 溫度保險絲切身感受到電阻溫度狀態，將電路切斷。它的全密封結構確保其熔斷系統穩定,可靠，不受外界潮濕等惡劣環境影響。

FIGURE



□ ORDERING INFROMATION

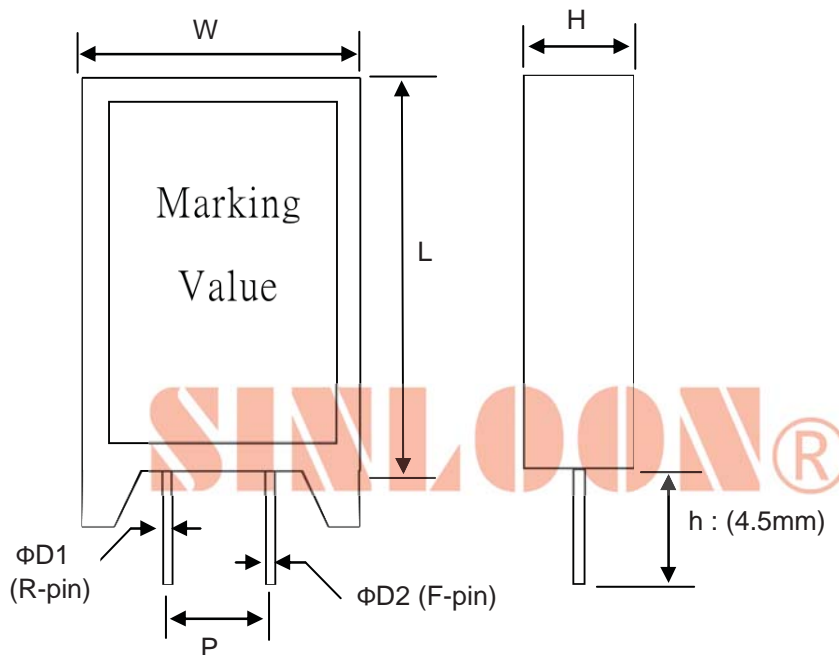
Example: CMO5M145J10R0 (5M 145°C 10R Ω ±5%)

Type	Power	Fusing Temperature	Tolerance	Resistance (Ω)	Package
CMO5M	5M	113 (109°C)	J = ±5% K = ±10%	1R = 1R0	Bulk = B
CMO7M	7M	133 (129°C)		10R = 10R0	
CMO10M	10M	157 (152°C)		100R = 101	
		192 (188°C)			
		227 (226°C)			
		102 (98°C)			
		115 (110°C)			
		134 (129°C)			
		139 (135°C)			
		145 (141°C)			

□ DIMENSION

Unit: mm

Type	L	W	H	P	h	ΦD ¹ (R-pin)	ΦD ² (F-pin)
CMO5M	25	13	9.0	5.0	4.5±1	0.8±1	2A=0.6±0.1
CMO7M	38	13	9.0	5.0			10A:1.0±0.1
CMO10M	35	16	12	7.5			





水泥電阻溫度保險絲(CMO)系列

CMO TYPE

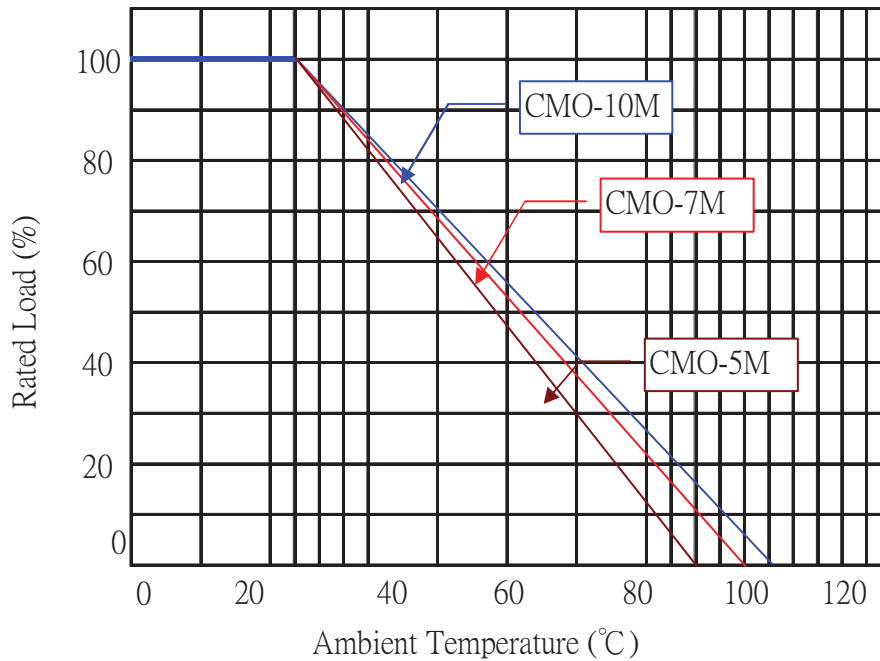
Cement Resistor With Thermal Cut-Offs

ENVIRONMENTAL CHARACTERISTICS

Fusing Temperature Protector

Mark Code	Fusing	Standard		Rated Power at 25°C			Resistance	Tolerance
	Temp.(°C)	Current	Voltage	5M	7M	10M	Range (Ω)	(%)
113	109 ⁺³ ₋₁	10A	250V	1.2W	1.4W	2W	1R ~ 100Ω	J=±5%; K=±10%
133	129±2			1.6W	2W	2.5W		
157	152±2			1.6W	2W	2.5W		
192	188 ⁺³ ₋₁			2W	2.4W	3.5W		
227	226 ⁺¹ ₋₃			2W	2.4W	3.5W		
102	98 ⁺⁴ ₋₃	2A	250V	0.8W	1.2W	---	1R-100Ω	
115	110 ⁺³ ₋₂			1.2W	1.4W			
134	129±4			1.4W	1.6W			
139	135±3			1.6W	2W			
145	141±2			2.1W	2.4W			

POWER GRAPH



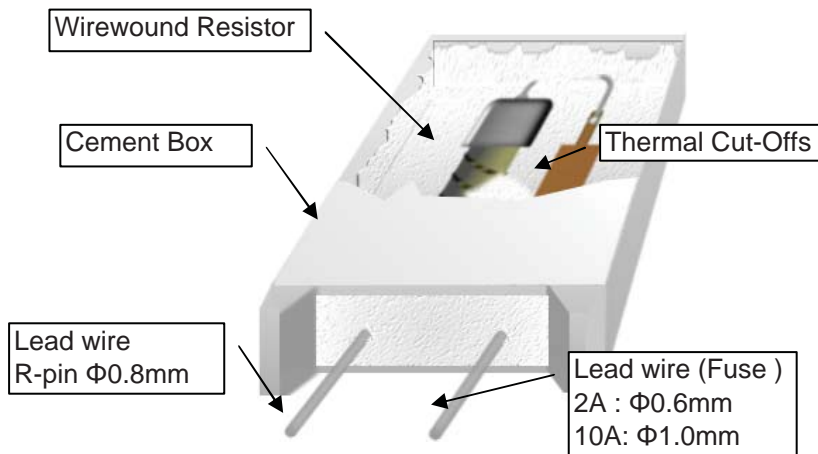
SINLOON®

水泥電阻溫度保險絲(CMO)系列

CMO TYPE

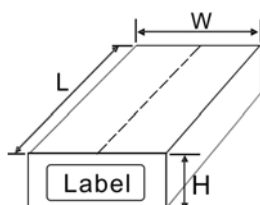
Cement Resistor With Thermal Cut-Offs

STRUCTURE



PACKING

Type	Inner Box Dimension (cm)			Quantity	Carton Dimension (cm)			Quantity	Wight
	L	W	H		L	W	H		Gross
5M	26	15	11	500	31	27.5	47	4000	
7M	26	15	11	500	31	27.5	47	4000	
10M	26	15	11	500	31	27.5	47	2000	



SINLOON®

※美隆公司產品規格及其特性參數的改變或更新恕不另行通知。

※Mayloon characteristic parameters of electronic product specification changes or updates without notice to improve。

