

**SINLOON®**  
POWER SEMICONDUCTOR

**SK22 ~ S210**



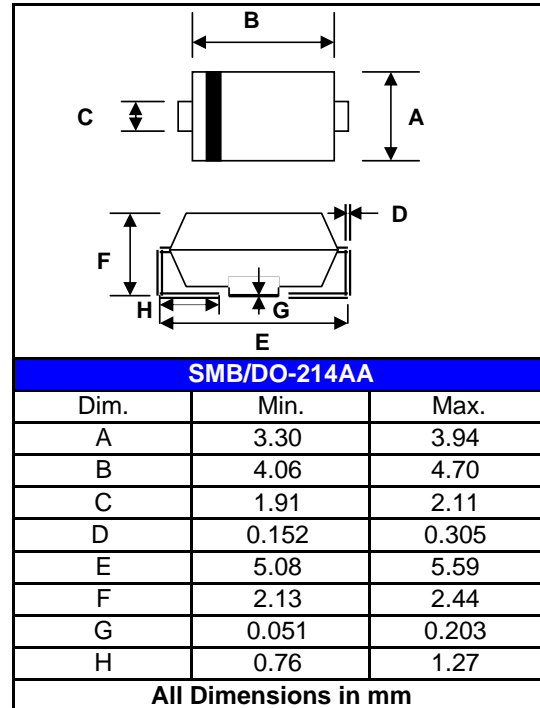
2.0A Surface Mount Schottky Barrier Diode

**FEATURE**

- ◆ Schottky Barrier Chip
- ◆ Ideally Suited for Automatic Assembly
- ◆ Low power loss, High Efficiency
- ◆ Surge Overload Rating to 50A Peak
- ◆ For Use in low voltahg application
- ◆ Guard ring die construction
- ◆ Plastic Case Meterial has UL Flammability Classification Rating 94V-O

**MECHANICAL DATA**

- ◆ Case: SMB/DO-214AA, Molded Plastic.
- ◆ Terminals: Solder Plated, Solderable per MIL-STD-750, Method 2026
- ◆ Polarity: Cathode Band or Cathode Notch
- ◆ Marking: Type Number
- ◆ Weight: 0.093 grams (approx)
- ◆ Lead Free: For RoHS / Lead free Version, Add "LF" suffix to part Number, See page 3.



[www.mayloon.com](http://www.mayloon.com)

**MAXIMUM RATINGS AND ELECTRICAL CHARACTERISTICS @TA = 25°C unless otherwise specified**

Characteristic	Symbol	SK22	SK23	SK24	SK25	SK26	SK28	SK29	S210	Unit
Peak Repetitive Reverse Voltage	VRRM									V
Working Peak Reverse Voltage	VRWM	20	30	40	50	60	80	90	100	V
DC Blocking Voltage	VR									V
RMS Reverse Voltage	VR(RMS)	14	21	28	35	42	56	64	71	V
Average Rectified Outpot Current @TL=75°C	IO	2.0								A
Non-Repetitive Peak Forward Sutge Current 8.3ms Single half sine-wave superimposed on rated load (JEDEC Method)	IFSM	50								A
Forward Voltage @IF=1.0A	VFM	0.50		0.70		0.85				V
Peak Reverse Current @TA=25°C	IRM	0.5								uA
At Rated DC Blocking Voltage @TA=100°C		20								
Typical Thermal Resistance ( Note 1)	RθJL	17								°C/W
	RθJA	75								
Operating Temperature Range	Tj	-65 to +125								°C
Storage Temperature Range	TSTG	-65 to +150								°C

**Note:** 1). Mounted on P.C. Board with 8.0mm<sup>2</sup> copper pad area.

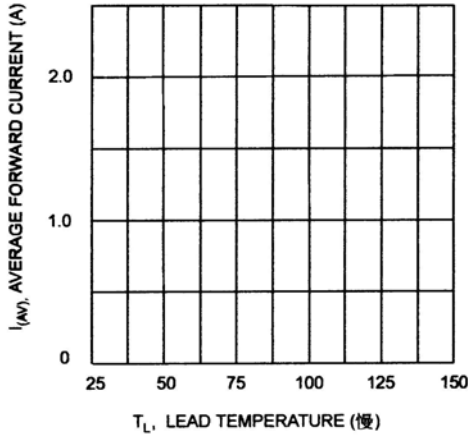


Fig. 1 Forward Current Derating Curve

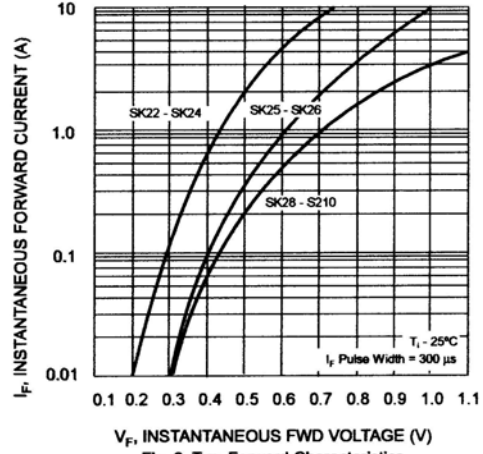


Fig. 2 Typ. Forward Characteristics

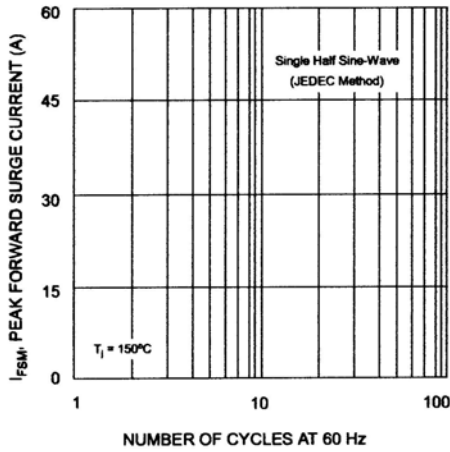


Fig. 3 Max Non-Repetitive Peak Fwd Surge Current

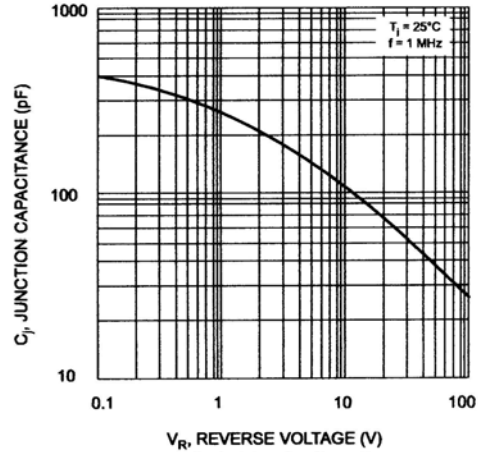


Fig. 4 Typical Junction Capacitance

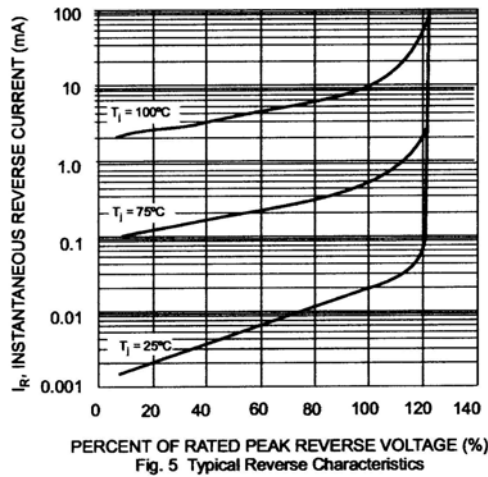
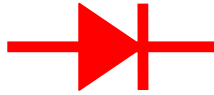


Fig. 5 Typical Reverse Characteristics



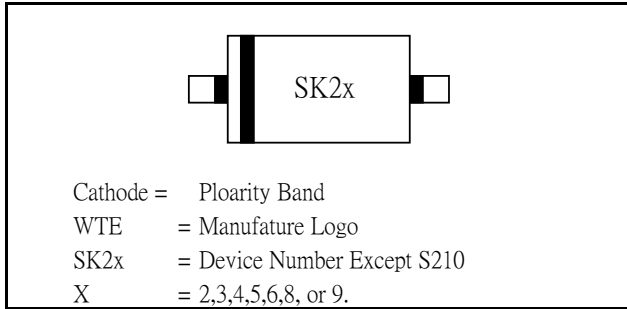
**SINLOON®**  
POWER SEMICONDUCTOR

**SK22 ~ S210**

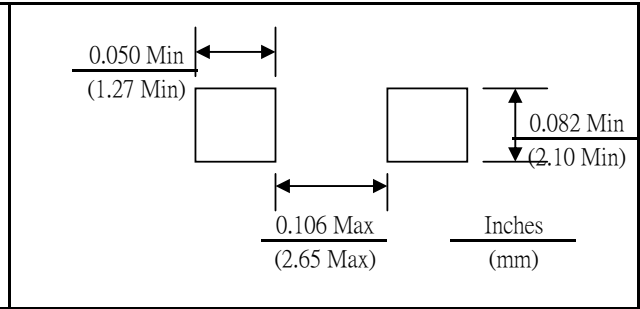


**2.0A Surface Mount Schottky Barrier Diode**

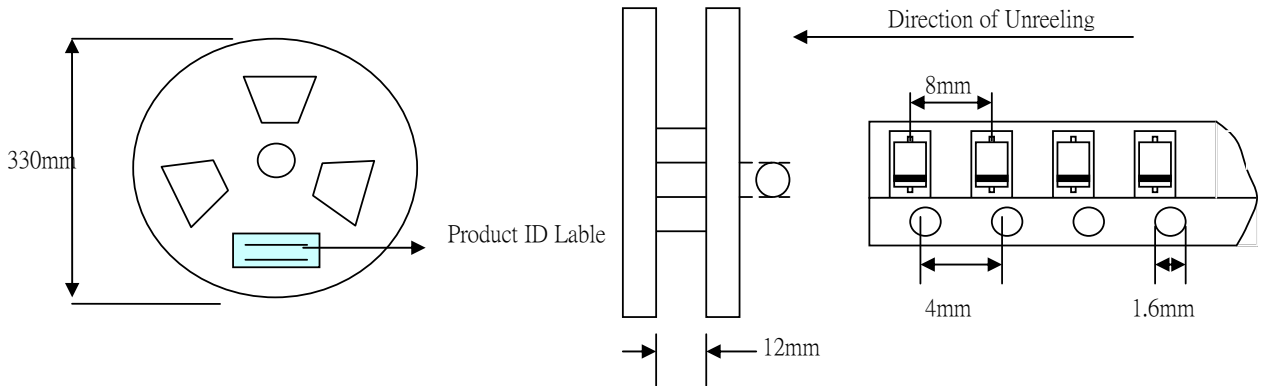
**MARKING INFORMATION**



**RECOMMENDED FOOTPRINT**



**MARKING INFORMATION**



Reel Diameter (mm)	Quantity (PCS)	Inner box Size LxWxH (mm)	Quantity (PCS)	Carton Size LxWxH (mm)	Quantity (PCS)	Approx Gross Weight (KG)
330	3000	340x337x45	6000	370x370x420	48000	14.0

- Note: 1). Paper reel, white or gray color.  
2). Components are packed in accordance with EIA standard 481-1 and 481-2.

**ORDERING INFORMATION**

Product No.	Package Type	Shipping Quantity
SK22-T3	SMB	3000/Tape & Reel
SK23-T3	SMB	3000/Tape & Reel
SK24-T3	SMB	3000/Tape & Reel
SK25-T3	SMB	3000/Tape & Reel
SK26-T3	SMB	3000/Tape & Reel
SK28-T3	SMB	3000/Tape & Reel
SK29-T3	SMB	3000/Tape & Reel
S210-T3	SMB	3000/Tape & Reel

- 1). Shipping quantity given in minimum packing quantity only, for minimum order quantity, please consult the Sales Department.  
2). To order RoHS /Lead Free version ( with Lead Free finish), add "LF" suffix to part number above, for example, SK22-T3-LF.