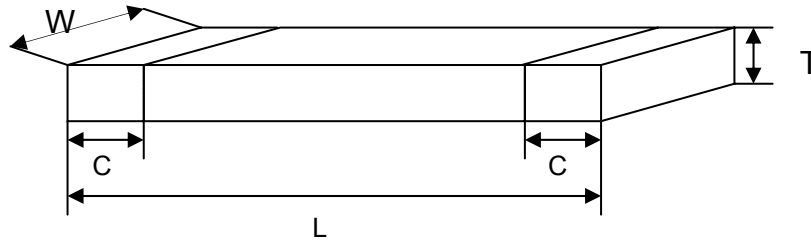


Specification of SMD Chips Thermistor

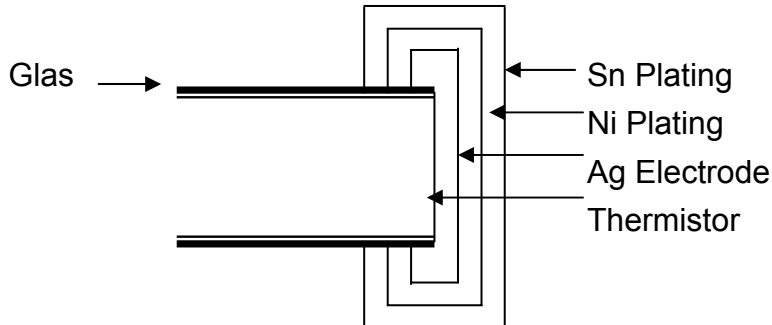
◆ **PART NO. : SMD02-400 J 3250 H**

◆ **CHIP DIMENSIONS**



| Item | L(mm) | W(mm) | T(mm) | C(mm) |
|-------------|------------|------------|-----------|-----------|
| 1005 (0402) | 1.00 ±0.05 | 0.50 ±0.05 | 0.50±0.05 | 0.25±0.10 |

◆ **CHIP STRUCTURE**



◆ **ELECTRICAL CHARACTERISTICS**

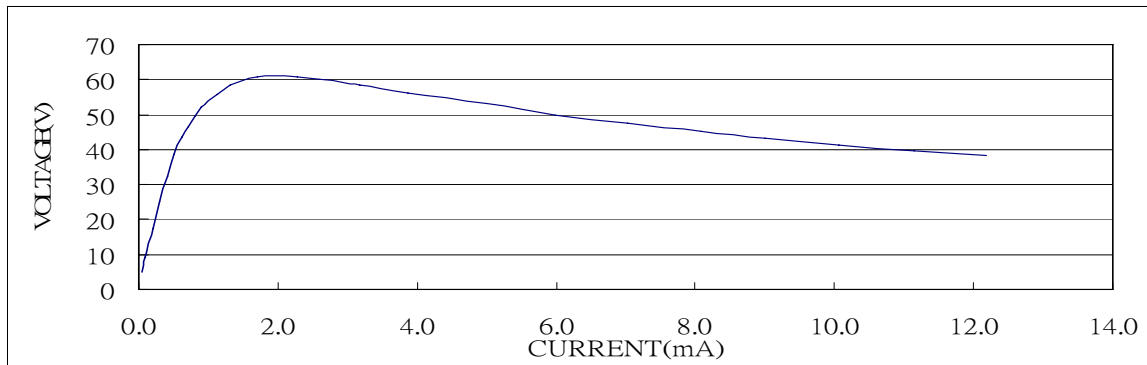
| Style | Symbol | Condition | Specification |
|------------------------------|-----------------|----------------|-----------------|
| Resistance at 25°C | R ₂₅ | T = 25 ± 0.1°C | 100K Ω ± 3 % |
| B Constant | B | 25°C to 85°C | 4000 °K ± 1 % |
| Thermal Time Constant | T | T = 25 ± 0.1°C | Approx. 7.5 sec |
| Thermal Dissipation Constant | C | T = 25 ± 0.1°C | Approx. 4 mW/°C |
| Maximum Power Rating* | P _w | T = 25 ± 0.1°C | 400 mW |
| Operation Temp. Range | -- | -- | -40°C ~ 125°C |

*Maximum Power Rating = Thermal Dissipation Constant × (125°C-25°C)

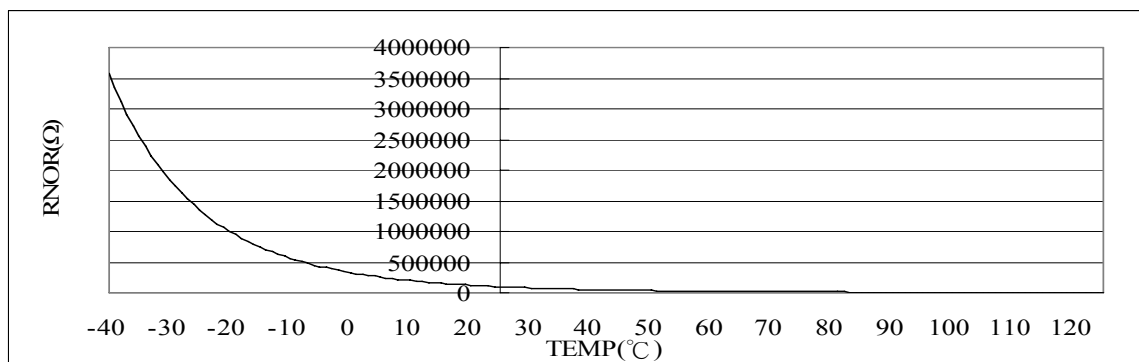
◆ RELIABILITY TEST

| PERFORMANCE | TEST METHOD | APPRAISE |
|------------------------------------|--|----------------------|
| Life | MIL – STD – 202F , Method 108A 1000 hours at 125°C NTC WV intermittent | Within ±3 % |
| Humidity | MIL – STD – 202F , Method 103B 1000 hours at Temperature: 40°C Humidity: 95% | Within ±3 % |
| Thermal Shock | MIL – STD – 202F , Method 107 10 cycles, -40°C to +125°C | Within ±3 % |
| Solder ability | MIL – STD – 202F , Method 208 235°C for 2 seconds | 95% min. coverage |
| Resistance to Soldering Heat | MIL – R – 55342D , Para 4.7.7 Soldered to test board at 260°C for 10 seconds | Within ±3 % |
| Bending Strength | JIS C 5202 6.1.4 Pressurizing rod at a rate at 1mm/sec for 1mm | Within ±3 % |
| Resistance to flexure of Substrate | JIS C 5202 6.2.1 Pressurizing force shall be 3kg (min.) | Over 3 kg |
| Insulation Resistance | MIL – STD – 202F , Method 302 DC 250V For 10 seconds | Over 1000MΩ |
| Dielectric Withstand Voltage | MIL – STD – 202F , Method 301 DC 250V For 10 seconds | Not Short |

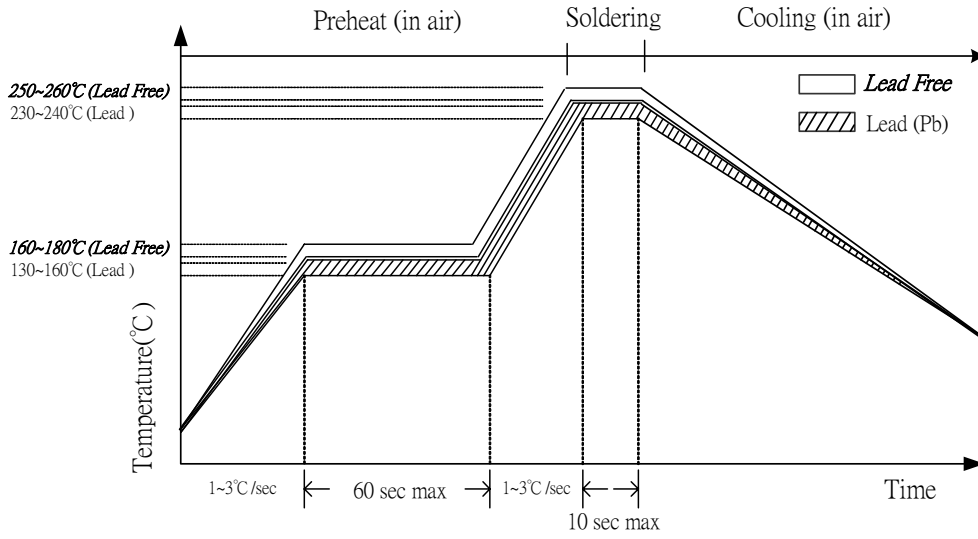
◆ VOLTAGE – CURRENT CURVE



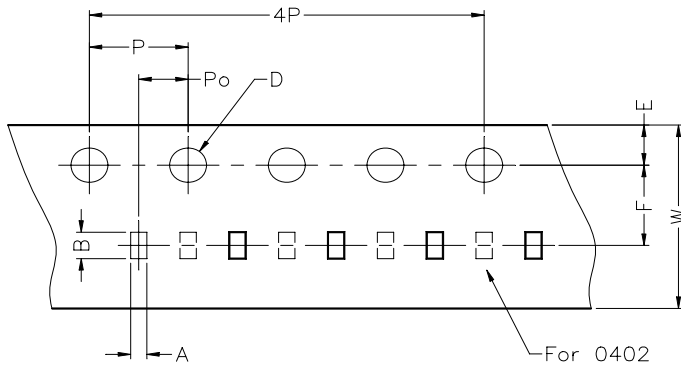
◆ RESISTANCE – TEMP CURVE



◆ REFLOW SOLDERING PROFILE



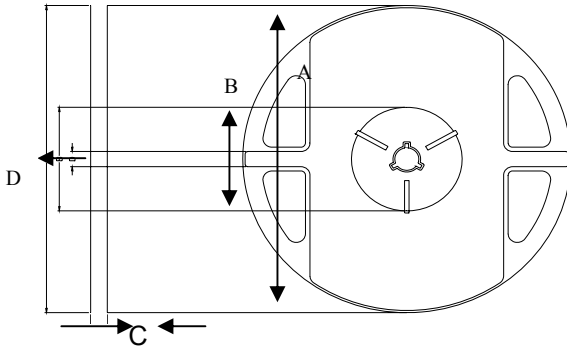
◆ TAPING DIMENSIONS



Unit: mm

| Dimension | 1206 | 0805 | 0603 | 0402 |
|-----------|--------------|--------------|--------------|--------------|
| A | 2.00 ± 0.05 | 1.50 ± 0.05 | 1.08 ± 0.05 | 0.66 ± 0.03 |
| B | 3.57 ± 0.05 | 2.30 ± 0.05 | 1.85 ± 0.05 | 1.15 ± 0.03 |
| W | 8.00 ± 0.02 | 8.00 ± 0.05 | 8.00 ± 0.05 | 8.00 ± 0.05 |
| D | 1.55 ± 0.05 | 1.50 ± 0.10 | 1.50 ± 0.10 | 1.50 ± 0.10 |
| E | 1.75 ± 0.10 | 1.75 ± 0.05 | 1.75 ± 0.05 | 1.75 ± 0.05 |
| F | 3.50 ± 0.05 | 3.50 ± 0.05 | 3.50 ± 0.05 | 3.50 ± 0.05 |
| P | 4.00 ± 0.10 | 4.00 ± 0.05 | 4.00 ± 0.05 | 4.00 ± 0.05 |
| Po | 2.00 ± 0.05 | 2.00 ± 0.05 | 2.00 ± 0.05 | 2.00 ± 0.05 |
| 4P | 16.00 ± 0.05 | 16.00 ± 0.05 | 16.00 ± 0.05 | 16.00 ± 0.05 |

◆ REEL DIMENSIONS



Unit: mm

| Item | A | B | C | D |
|-----------|------------|-----------|----------|-----------|
| Dimension | 178.0 ±1.0 | 60.0 ±1.0 | 9.0 ±0.1 | 13.0 ±0.1 |

◆ ORDERING INFORMATION

SMD 02 400 J 3250 H
 ① ② ③ ④ ⑤ ⑥

1. Series SINLOON SMD Thermistor. (TH - Lead (Pb) ; TF – Lead Free)
2. Dimension : 06 (1206) , 05 (0805) , 03 (0603) , 02 (0402)
3. Resistance : 300 = 30 x 10 = 30 ohm
4. R Tolerance : F:±1% ; G:±2% ; H:±3% ; J:±5% ; K:±10%
5. B value : 3215, 3435, 3700, 7970, 4000, 4100,.....etc.
6. B Tolerance : F:±1% ; G:±2% ; H:±3%

- ACCESSORY : RESISTANCE-TEMPERATURE CHARACTERISTICS

Resistance-Temperature Characteristics

Part No. : **SMD02-400J 3250H**

R : 40 ohms ± 5%
B : 3250 °K ± 3%

| Temperature (°C) | Resistance (Ω) | | | Temp. Coef. (%/°C) | Resist. Tolerance (%) | | Temp. Tolerance (°C) | |
|---------------------|----------------|---------|---------|-----------------------|-----------------------|-------|----------------------|------|
| | MIN. | CENTER | MAX. | | MIN. | MAX. | MIN. | MAX. |
| -40 | 680.859 | 783.600 | 899.590 | -5.71 | -13.11 | 14.80 | -2.59 | 2.30 |
| -39 | 644.293 | 740.252 | 848.376 | -5.67 | -12.96 | 14.61 | -2.58 | 2.29 |
| -38 | 609.937 | 699.592 | 800.419 | -5.63 | -12.82 | 14.41 | -2.56 | 2.28 |
| -37 | 577.643 | 661.438 | 755.494 | -5.59 | -12.67 | 14.22 | -2.54 | 2.27 |
| -36 | 547.276 | 625.620 | 713.391 | -5.55 | -12.52 | 14.03 | -2.53 | 2.26 |
| -35 | 518.710 | 591.981 | 673.914 | -5.51 | -12.38 | 13.84 | -2.51 | 2.25 |
| -34 | 491.825 | 560.376 | 636.886 | -5.47 | -12.23 | 13.65 | -2.50 | 2.24 |
| -33 | 466.514 | 530.670 | 602.139 | -5.43 | -12.09 | 13.47 | -2.48 | 2.23 |
| -32 | 442.675 | 502.736 | 569.519 | -5.39 | -11.95 | 13.28 | -2.47 | 2.22 |
| -31 | 420.214 | 476.459 | 538.882 | -5.35 | -11.80 | 13.10 | -2.45 | 2.21 |
| -30 | 399.042 | 451.731 | 510.098 | -5.31 | -11.66 | 12.92 | -2.43 | 2.20 |
| -29 | 379.078 | 428.450 | 483.042 | -5.27 | -11.52 | 12.74 | -2.42 | 2.19 |
| -28 | 360.246 | 406.524 | 457.601 | -5.23 | -11.38 | 12.56 | -2.40 | 2.17 |
| -27 | 342.475 | 385.866 | 433.668 | -5.20 | -11.25 | 12.39 | -2.38 | 2.16 |
| -26 | 325.699 | 366.395 | 411.145 | -5.16 | -11.11 | 12.21 | -2.37 | 2.15 |
| -25 | 309.856 | 348.035 | 389.941 | -5.12 | -10.97 | 12.04 | -2.35 | 2.14 |
| -24 | 294.889 | 330.717 | 369.971 | -5.09 | -10.83 | 11.87 | -2.33 | 2.13 |
| -23 | 280.743 | 314.375 | 351.155 | -5.05 | -10.70 | 11.70 | -2.32 | 2.12 |
| -22 | 267.370 | 298.948 | 333.420 | -5.01 | -10.56 | 11.53 | -2.30 | 2.11 |
| -21 | 254.723 | 284.380 | 316.697 | -4.98 | -10.43 | 11.36 | -2.28 | 2.09 |
| -20 | 242.757 | 270.618 | 300.923 | -4.94 | -10.30 | 11.20 | -2.27 | 2.08 |
| -19 | 231.432 | 257.613 | 286.038 | -4.91 | -10.16 | 11.03 | -2.25 | 2.07 |
| -18 | 220.710 | 245.318 | 271.987 | -4.87 | -10.03 | 10.87 | -2.23 | 2.06 |
| -17 | 210.556 | 233.690 | 258.718 | -4.84 | -9.90 | 10.71 | -2.21 | 2.05 |
| -16 | 200.935 | 222.690 | 246.184 | -4.80 | -9.77 | 10.55 | -2.20 | 2.03 |
| -15 | 191.817 | 212.279 | 234.338 | -4.77 | -9.64 | 10.39 | -2.18 | 2.02 |
| -14 | 183.172 | 202.424 | 223.140 | -4.74 | -9.51 | 10.23 | -2.16 | 2.01 |
| -13 | 174.973 | 193.090 | 212.549 | -4.70 | -9.38 | 10.08 | -2.14 | 1.99 |
| -12 | 167.195 | 184.247 | 202.530 | -4.67 | -9.25 | 9.92 | -2.12 | 1.98 |
| -11 | 159.814 | 175.867 | 193.049 | -4.64 | -9.13 | 9.77 | -2.11 | 1.97 |
| -10 | 152.806 | 167.922 | 184.072 | -4.61 | -9.00 | 9.62 | -2.09 | 1.95 |
| -9 | 146.151 | 160.388 | 175.572 | -4.57 | -8.88 | 9.47 | -2.07 | 1.94 |

| | | | | | | | | |
|----|---------|---------|---------|-------|-------|------|-------|------|
| -8 | 139.829 | 153.241 | 167.518 | -4.54 | -8.75 | 9.32 | -2.05 | 1.93 |
| -7 | 133.822 | 146.458 | 159.886 | -4.51 | -8.63 | 9.17 | -2.03 | 1.91 |
| -6 | 128.111 | 140.019 | 152.651 | -4.48 | -8.50 | 9.02 | -2.01 | 1.90 |
| -5 | 122.681 | 133.905 | 145.790 | -4.45 | -8.38 | 8.88 | -1.99 | 1.88 |
| -4 | 117.516 | 128.097 | 139.281 | -4.42 | -8.26 | 8.73 | -1.98 | 1.87 |
| -3 | 112.602 | 122.579 | 133.105 | -4.39 | -8.14 | 8.59 | -1.96 | 1.85 |
| -2 | 107.925 | 117.333 | 127.242 | -4.36 | -8.02 | 8.45 | -1.94 | 1.84 |
| -1 | 103.472 | 112.346 | 121.675 | -4.33 | -7.90 | 8.30 | -1.92 | 1.82 |
| 0 | 99.232 | 107.602 | 116.386 | -4.30 | -7.78 | 8.16 | -1.90 | 1.81 |
| 1 | 95.192 | 103.089 | 111.362 | -4.27 | -7.66 | 8.02 | -1.88 | 1.79 |
| 2 | 91.343 | 98.794 | 106.586 | -4.24 | -7.54 | 7.89 | -1.86 | 1.78 |
| 3 | 87.673 | 94.705 | 102.045 | -4.21 | -7.42 | 7.75 | -1.84 | 1.76 |
| 4 | 84.175 | 90.812 | 97.727 | -4.18 | -7.31 | 7.61 | -1.82 | 1.75 |
| 5 | 80.838 | 87.103 | 93.618 | -4.16 | -7.19 | 7.48 | -1.80 | 1.73 |
| 6 | 77.655 | 83.569 | 89.709 | -4.13 | -7.08 | 7.35 | -1.78 | 1.71 |
| 7 | 74.617 | 80.201 | 85.987 | -4.10 | -6.96 | 7.21 | -1.76 | 1.70 |
| 8 | 71.717 | 76.989 | 82.443 | -4.07 | -6.85 | 7.08 | -1.74 | 1.68 |
| 9 | 68.948 | 73.927 | 79.067 | -4.05 | -6.73 | 6.95 | -1.72 | 1.66 |
| 10 | 66.304 | 71.006 | 75.851 | -4.02 | -6.62 | 6.82 | -1.70 | 1.65 |
| 11 | 63.777 | 68.218 | 72.785 | -3.99 | -6.51 | 6.70 | -1.68 | 1.63 |
| 12 | 61.363 | 65.557 | 69.863 | -3.97 | -6.40 | 6.57 | -1.66 | 1.61 |
| 13 | 59.055 | 63.017 | 67.076 | -3.94 | -6.29 | 6.44 | -1.64 | 1.60 |
| 14 | 56.848 | 60.591 | 64.418 | -3.91 | -6.18 | 6.32 | -1.61 | 1.58 |
| 15 | 54.738 | 58.273 | 61.881 | -3.89 | -6.07 | 6.19 | -1.59 | 1.56 |
| 16 | 52.719 | 56.058 | 59.460 | -3.86 | -5.96 | 6.07 | -1.57 | 1.54 |
| 17 | 50.787 | 53.942 | 57.149 | -3.84 | -5.85 | 5.95 | -1.55 | 1.52 |
| 18 | 48.938 | 51.918 | 54.942 | -3.81 | -5.74 | 5.82 | -1.53 | 1.51 |
| 19 | 47.167 | 49.983 | 52.834 | -3.79 | -5.63 | 5.70 | -1.51 | 1.49 |
| 20 | 45.472 | 48.132 | 50.820 | -3.76 | -5.53 | 5.58 | -1.48 | 1.47 |
| 21 | 43.848 | 46.360 | 48.894 | -3.74 | -5.42 | 5.47 | -1.46 | 1.45 |
| 22 | 42.292 | 44.665 | 47.054 | -3.71 | -5.31 | 5.35 | -1.44 | 1.43 |
| 23 | 40.800 | 43.042 | 45.294 | -3.69 | -5.21 | 5.23 | -1.42 | 1.41 |
| 24 | 39.371 | 41.488 | 43.611 | -3.67 | -5.10 | 5.12 | -1.40 | 1.39 |
| 25 | 38.000 | 40.000 | 42.000 | -3.64 | -5.00 | 5.00 | -1.37 | 1.37 |
| 26 | 36.606 | 38.574 | 40.547 | -3.62 | -5.10 | 5.11 | -1.41 | 1.41 |
| 27 | 35.271 | 37.208 | 39.153 | -3.59 | -5.21 | 5.23 | -1.45 | 1.45 |
| 28 | 33.993 | 35.898 | 37.815 | -3.57 | -5.31 | 5.34 | -1.50 | 1.49 |
| 29 | 32.769 | 34.642 | 36.532 | -3.55 | -5.41 | 5.45 | -1.54 | 1.52 |
| 30 | 31.596 | 33.438 | 35.299 | -3.53 | -5.51 | 5.57 | -1.58 | 1.56 |
| 31 | 30.472 | 32.283 | 34.116 | -3.50 | -5.61 | 5.68 | -1.62 | 1.60 |
| 32 | 29.395 | 31.175 | 32.979 | -3.48 | -5.71 | 5.79 | -1.66 | 1.64 |

| | | | | | | | | |
|----|--------|--------|--------|-------|-------|------|-------|------|
| 33 | 28.363 | 30.111 | 31.887 | -3.46 | -5.81 | 5.90 | -1.70 | 1.68 |
| 34 | 27.373 | 29.091 | 30.838 | -3.44 | -5.90 | 6.01 | -1.75 | 1.72 |
| 35 | 26.424 | 28.110 | 29.830 | -3.42 | -6.00 | 6.12 | -1.79 | 1.76 |
| 36 | 25.513 | 27.169 | 28.861 | -3.40 | -6.10 | 6.23 | -1.83 | 1.80 |
| 37 | 24.639 | 26.265 | 27.928 | -3.37 | -6.19 | 6.33 | -1.88 | 1.84 |
| 38 | 23.800 | 25.396 | 27.032 | -3.35 | -6.29 | 6.44 | -1.92 | 1.87 |
| 39 | 22.995 | 24.562 | 26.170 | -3.33 | -6.38 | 6.55 | -1.97 | 1.91 |
| 40 | 22.221 | 23.759 | 25.340 | -3.31 | -6.47 | 6.65 | -2.01 | 1.95 |
| 41 | 21.478 | 22.988 | 24.541 | -3.29 | -6.57 | 6.76 | -2.05 | 2.00 |
| 42 | 20.765 | 22.246 | 23.773 | -3.27 | -6.66 | 6.86 | -2.10 | 2.04 |
| 43 | 20.079 | 21.532 | 23.033 | -3.25 | -6.75 | 6.97 | -2.14 | 2.08 |
| 44 | 19.420 | 20.846 | 22.320 | -3.23 | -6.84 | 7.07 | -2.19 | 2.12 |
| 45 | 18.787 | 20.185 | 21.634 | -3.21 | -6.93 | 7.18 | -2.24 | 2.16 |
| 46 | 18.177 | 19.549 | 20.973 | -3.19 | -7.02 | 7.28 | -2.28 | 2.20 |
| 47 | 17.592 | 18.937 | 20.335 | -3.17 | -7.11 | 7.38 | -2.33 | 2.24 |
| 48 | 17.028 | 18.348 | 19.721 | -3.15 | -7.20 | 7.48 | -2.37 | 2.28 |
| 49 | 16.486 | 17.781 | 19.129 | -3.13 | -7.28 | 7.59 | -2.42 | 2.32 |
| 50 | 15.964 | 17.234 | 18.559 | -3.11 | -7.37 | 7.69 | -2.47 | 2.37 |
| 51 | 15.462 | 16.707 | 18.008 | -3.09 | -7.46 | 7.79 | -2.52 | 2.41 |
| 52 | 14.978 | 16.200 | 17.477 | -3.08 | -7.54 | 7.89 | -2.56 | 2.45 |
| 53 | 14.512 | 15.710 | 16.965 | -3.06 | -7.63 | 7.99 | -2.61 | 2.49 |
| 54 | 14.064 | 15.239 | 16.471 | -3.04 | -7.71 | 8.08 | -2.66 | 2.54 |
| 55 | 13.632 | 14.784 | 15.994 | -3.02 | -7.79 | 8.18 | -2.71 | 2.58 |
| 56 | 13.215 | 14.345 | 15.533 | -3.00 | -7.88 | 8.28 | -2.76 | 2.62 |
| 57 | 12.814 | 13.922 | 15.089 | -2.98 | -7.96 | 8.38 | -2.81 | 2.67 |
| 58 | 12.427 | 13.514 | 14.659 | -2.97 | -8.04 | 8.47 | -2.86 | 2.71 |
| 59 | 12.054 | 13.120 | 14.245 | -2.95 | -8.12 | 8.57 | -2.91 | 2.75 |
| 60 | 11.695 | 12.740 | 13.844 | -2.93 | -8.21 | 8.67 | -2.96 | 2.80 |
| 61 | 11.348 | 12.373 | 13.457 | -2.91 | -8.29 | 8.76 | -3.01 | 2.84 |
| 62 | 11.013 | 12.019 | 13.083 | -2.90 | -8.37 | 8.86 | -3.06 | 2.89 |
| 63 | 10.690 | 11.677 | 12.722 | -2.88 | -8.45 | 8.95 | -3.11 | 2.93 |
| 64 | 10.379 | 11.346 | 12.372 | -2.86 | -8.52 | 9.05 | -3.16 | 2.98 |
| 65 | 10.078 | 11.027 | 12.034 | -2.85 | -8.60 | 9.14 | -3.21 | 3.02 |
| 66 | 9.788 | 10.718 | 11.708 | -2.83 | -8.68 | 9.23 | -3.26 | 3.07 |
| 67 | 9.507 | 10.420 | 11.391 | -2.81 | -8.76 | 9.32 | -3.31 | 3.11 |
| 68 | 9.237 | 10.132 | 11.086 | -2.80 | -8.83 | 9.42 | -3.37 | 3.16 |
| 69 | 8.975 | 9.853 | 10.790 | -2.78 | -8.91 | 9.51 | -3.42 | 3.20 |
| 70 | 8.722 | 9.584 | 10.504 | -2.76 | -8.99 | 9.60 | -3.47 | 3.25 |
| 71 | 8.478 | 9.323 | 10.226 | -2.75 | -9.06 | 9.69 | -3.53 | 3.30 |
| 72 | 8.242 | 9.071 | 9.958 | -2.73 | -9.14 | 9.78 | -3.58 | 3.34 |
| 73 | 8.014 | 8.827 | 9.698 | -2.72 | -9.21 | 9.87 | -3.63 | 3.39 |

| | | | | | | | | |
|-----|-------|-------|-------|-------|--------|-------|-------|------|
| 74 | 7.794 | 8.591 | 9.447 | -2.70 | -9.28 | 9.96 | -3.69 | 3.44 |
| 75 | 7.580 | 8.363 | 9.203 | -2.69 | -9.36 | 10.05 | -3.74 | 3.48 |
| 76 | 7.374 | 8.142 | 8.967 | -2.67 | -9.43 | 10.14 | -3.80 | 3.53 |
| 77 | 7.175 | 7.928 | 8.739 | -2.66 | -9.50 | 10.22 | -3.85 | 3.58 |
| 78 | 6.982 | 7.721 | 8.517 | -2.64 | -9.57 | 10.31 | -3.91 | 3.63 |
| 79 | 6.795 | 7.520 | 8.302 | -2.63 | -9.65 | 10.40 | -3.96 | 3.67 |
| 80 | 6.614 | 7.326 | 8.094 | -2.61 | -9.72 | 10.49 | -4.02 | 3.72 |
| 81 | 6.439 | 7.138 | 7.892 | -2.60 | -9.79 | 10.57 | -4.07 | 3.77 |
| 82 | 6.270 | 6.955 | 7.697 | -2.58 | -9.86 | 10.66 | -4.13 | 3.82 |
| 83 | 6.106 | 6.779 | 7.507 | -2.57 | -9.93 | 10.74 | -4.19 | 3.87 |
| 84 | 5.947 | 6.607 | 7.323 | -2.55 | -10.00 | 10.83 | -4.24 | 3.92 |
| 85 | 5.793 | 6.441 | 7.144 | -2.54 | -10.06 | 10.91 | -4.30 | 3.97 |
| 86 | 5.644 | 6.280 | 6.971 | -2.52 | -10.13 | 11.00 | -4.36 | 4.02 |
| 87 | 5.500 | 6.124 | 6.803 | -2.51 | -10.20 | 11.08 | -4.42 | 4.06 |
| 88 | 5.360 | 5.973 | 6.640 | -2.50 | -10.27 | 11.16 | -4.47 | 4.11 |
| 89 | 5.224 | 5.826 | 6.481 | -2.48 | -10.33 | 11.25 | -4.53 | 4.16 |
| 90 | 5.093 | 5.684 | 6.328 | -2.47 | -10.40 | 11.33 | -4.59 | 4.21 |
| 91 | 4.965 | 5.546 | 6.178 | -2.45 | -10.47 | 11.41 | -4.65 | 4.26 |
| 92 | 4.841 | 5.411 | 6.033 | -2.44 | -10.53 | 11.49 | -4.71 | 4.32 |
| 93 | 4.722 | 5.281 | 5.893 | -2.43 | -10.60 | 11.58 | -4.77 | 4.37 |
| 94 | 4.605 | 5.155 | 5.756 | -2.41 | -10.66 | 11.66 | -4.83 | 4.42 |
| 95 | 4.492 | 5.032 | 5.623 | -2.40 | -10.73 | 11.74 | -4.89 | 4.47 |
| 96 | 4.383 | 4.913 | 5.494 | -2.39 | -10.79 | 11.82 | -4.95 | 4.52 |
| 97 | 4.277 | 4.798 | 5.368 | -2.37 | -10.86 | 11.90 | -5.01 | 4.57 |
| 98 | 4.174 | 4.685 | 5.247 | -2.36 | -10.92 | 11.98 | -5.07 | 4.62 |
| 99 | 4.074 | 4.576 | 5.128 | -2.35 | -10.98 | 12.06 | -5.13 | 4.67 |
| 100 | 3.977 | 4.470 | 5.013 | -2.34 | -11.04 | 12.13 | -5.19 | 4.73 |
| 101 | 3.882 | 4.367 | 4.901 | -2.32 | -11.11 | 12.21 | -5.26 | 4.78 |
| 102 | 3.791 | 4.267 | 4.792 | -2.31 | -11.17 | 12.29 | -5.32 | 4.83 |
| 103 | 3.702 | 4.170 | 4.686 | -2.30 | -11.23 | 12.37 | -5.38 | 4.88 |
| 104 | 3.615 | 4.076 | 4.583 | -2.29 | -11.29 | 12.45 | -5.44 | 4.94 |
| 105 | 3.531 | 3.984 | 4.483 | -2.27 | -11.35 | 12.52 | -5.51 | 4.99 |
| 106 | 3.450 | 3.894 | 4.385 | -2.26 | -11.41 | 12.60 | -5.57 | 5.04 |
| 107 | 3.371 | 3.807 | 4.290 | -2.25 | -11.47 | 12.68 | -5.63 | 5.10 |
| 108 | 3.294 | 3.723 | 4.198 | -2.24 | -11.53 | 12.75 | -5.70 | 5.15 |
| 109 | 3.219 | 3.641 | 4.108 | -2.23 | -11.59 | 12.83 | -5.76 | 5.21 |
| 110 | 3.146 | 3.561 | 4.020 | -2.21 | -11.65 | 12.90 | -5.83 | 5.26 |
| 111 | 3.075 | 3.483 | 3.935 | -2.20 | -11.71 | 12.98 | -5.89 | 5.31 |
| 112 | 3.006 | 3.407 | 3.852 | -2.19 | -11.77 | 13.05 | -5.96 | 5.37 |
| 113 | 2.939 | 3.334 | 3.771 | -2.18 | -11.82 | 13.13 | -6.02 | 5.42 |
| 114 | 2.874 | 3.262 | 3.693 | -2.17 | -11.88 | 13.20 | -6.09 | 5.48 |

| | | | | | | | | |
|------------|-------|-------|-------|-------|--------|-------|-------|------|
| 115 | 2.811 | 3.192 | 3.616 | -2.16 | -11.94 | 13.27 | -6.15 | 5.53 |
| 116 | 2.749 | 3.124 | 3.541 | -2.15 | -12.00 | 13.35 | -6.22 | 5.59 |
| 117 | 2.690 | 3.058 | 3.468 | -2.13 | -12.05 | 13.42 | -6.29 | 5.65 |
| 118 | 2.631 | 2.994 | 3.398 | -2.12 | -12.11 | 13.49 | -6.35 | 5.70 |
| 119 | 2.574 | 2.931 | 3.328 | -2.11 | -12.16 | 13.56 | -6.42 | 5.76 |
| 120 | 2.519 | 2.870 | 3.261 | -2.10 | -12.22 | 13.64 | -6.49 | 5.81 |
| 121 | 2.465 | 2.810 | 3.195 | -2.09 | -12.27 | 13.71 | -6.56 | 5.87 |
| 122 | 2.413 | 2.752 | 3.131 | -2.08 | -12.33 | 13.78 | -6.62 | 5.93 |
| 123 | 2.362 | 2.696 | 3.069 | -2.07 | -12.38 | 13.85 | -6.69 | 5.98 |
| 124 | 2.312 | 2.641 | 3.008 | -2.06 | -12.44 | 13.92 | -6.76 | 6.04 |
| 125 | 2.264 | 2.587 | 2.949 | -2.05 | -12.49 | 13.99 | -6.83 | 6.10 |