

SINLOON®

蕭特基二極管

MMBD717WS SOD-323 (20V 0.2A)
SURFACE MOUNT SCHOTTKY BARRIER DIODE

□ FEATURE:

- ◆ Fast Switching
- ◆ Low Turn-on Voltage
- ◆ Very small SMD package
- ◆ Designed for Surface Mount Application
- ◆ PN Junction Guard Ring for Transient and ESD Protection.
- ◆ Plastic Material - UL Recognition Flammability Classification 94V-0

Figure



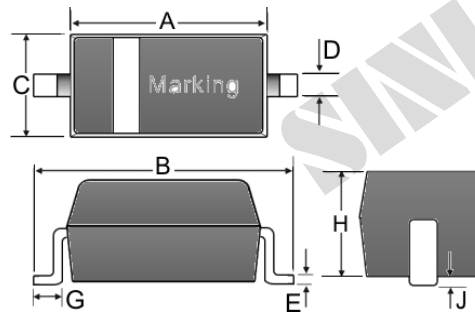
□ MECHANICAL CHARACTERISTICS:

- ◆ Case: SOD-323 Molded Plastic
- ◆ Marking: Body top
- ◆ Polarity: Cathode Band.
- ◆ Weight: 0.004 Grams (approx)
- ◆ Terminals: Plated leads solderable per MIL-STD-202, Method 208.
- ◆ Lead Free for **RoHS** Lead free version and "LF" suffix to part number.

□ MMBD717WS Marking
P70

□ DIMENSION: mm

SOD-323		
Dim	Min	Max
A	2.30	2.75
B	1.60	1.80
C	1.15	1.35
D	0.25	0.40
E	0.09	0.18
G	0.20	0.40
H	0.80	1.00
J	---	0.12



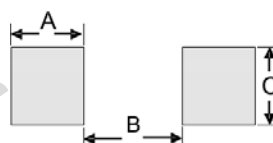
□ Maximum Ratings and Electrical Characteristics Single Diode @ $T_A=25^{\circ}\text{C}$ unless otherwise specified

Characteristics	Symbol	BAS70WS	Unit
Peak Repetitive Reverse Voltage	V_{RRM}	20	V
Working Peak Reverse Voltage	V_{RWM}		
DC Blocking Voltage	V_R		
Forward Continuous Current (Note ¹)	I_F	200	mA
Forward Surge Current @ $t < 1.0\text{s}$	I_{FSM}	600	mA
Power Dissipation (Note ¹)	P_d	200	mW
Typical Thermal Resistance, Junction to Ambient Air (Note ¹)	$R_{\theta JA}$	625	$^{\circ}\text{C}/\text{W}$
Operating and Storage Temperature Range	T_J, T_{STG}	-55+125	$^{\circ}\text{C}$

Note¹: Device on fiberglass substrate.
Refer SOD-323 standard mounting conditions.

□ RECOMMENDED FOOTPRINT

Dimension	mm	inches
A	0.630	0.025
B	1.600	0.063
C	0.830	0.033



SINLOON®

蕭特基二極管

**MMBD717WS SOD-323 (20V 0.2A)
SURFACE MOUNT SCHOTTKY BARRIER DIODE**

□ **Maximum Ratings and Electrical Characteristics Single Diode @ $T_A=25^{\circ}\text{C}$ unless otherwise specified**

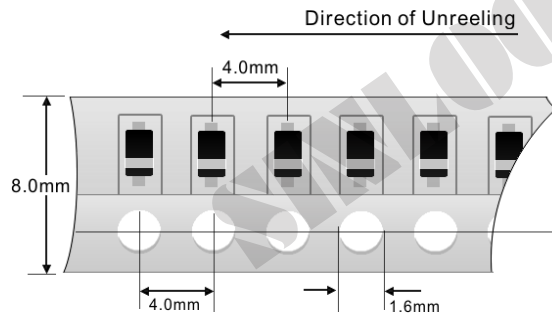
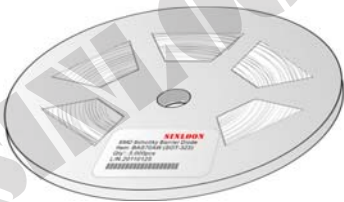
Characteristic	Symbol	Min.	Typ	Max.	Unit	Test Condition
Reverse Breakdown Voltage	$V_{(BR)R}$	20	----	----	V	@ $I_R=10\mu\text{A}$
Forward Voltage	V_F	----	----	370	mV	@ $I_F=1.0\text{mA}$, $t<300\mu\text{s}$
Reverse Leakage Current	I_R	----	----	200	nA	$V_R=50\text{V}$, $t<300\mu\text{s}$
Junction Capacitance	C_j	----	----	2.5	pF	$V_R=0\text{V}$, $f=1.0\text{MHz}$
Reverse Recovery Time	t_{rr}	----	----	5.0	nS	$I_F=10\text{mA}$, through $I_R=10\text{mA}$ to $I_R=1.0\text{mA}$, $R_L=100$

□ **COMMON PACKING INFORMATION:**

Product Number:	Package Type	Packing Quantity	Carton Quantity	Apporx Gross Weight
MMBD717WS	SOD-323	3000 Tape & Reel	150,000 Ctn	7.0/Kg

Reel Diameter (mm)	Quantity (Pcs)	Inner Box Size (mm)	Carton Size (mm)
178	3000	L: 187 x W:187 x H: 65	L:390 x W:240 x H:420

Tape Reel



Carton



Inner Box



美隆電子產品規格特性參數的改變或更新,將不會另行通知。

Mayloon characteristic parameters of electronic product specification changes or updates without prior notice。