

SINLOON®
POWER SEMICONDUCTOR

SB220 - SB2100



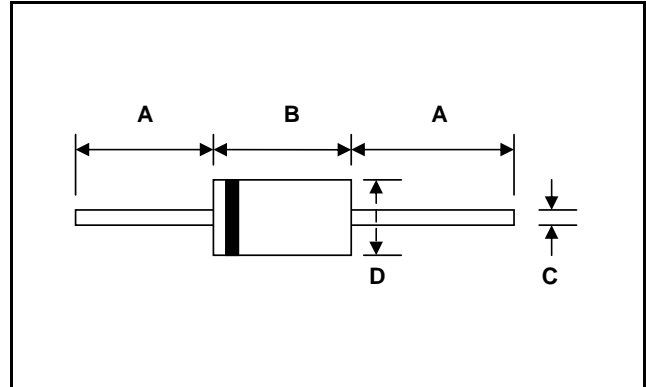
2.0A Schottky Barrier Diode

FEATURE

- ◆ Schottky Barrier Chip
- ◆ Guard Ring Die Construction for Transistor Protection.
- ◆ High Current Capability
- ◆ Low Power Loss. High Efficiency
- ◆ High Surge Current Capability
- ◆ For Use in Low Voltage, High Frequency Inverters, Free Wheeling, and Polarity Protection Applications.

MECHANICAL DATA

- ◆ Case: DO-15, Molded Plastic.
- ◆ Terminals: Solder Plated, Solderable per MIL-STD-202, Method 208
- ◆ Polarity: Cathode Band.
- ◆ Marking: Type Number
- ◆ Weight: 0.40 grams (approx.)
- ◆ Mounting Position: Any
- ◆ Lead Free: For RoHS / Lead free Version, Add "LF" suffix to part Number, See page 3.



DO-15		
Dim.	Min.	Max.
A	25.40	—
B	5.50	7.62
C	0.71	0.864
D	2.60	3.60
All Dimensions in mm		

MAXIMUM RATINGS AND ELECTRICAL CHARACTERISTICS @TA = 25°C unless otherwise specified

Single Phase, half wave, 60Hz, resistive or inductive load.
For capacitive load, derate current by 20%.

Characteristic	Symbol	SB220	SB230	SB240	SB250	SB260	SB280	SB2100	Unit
Peak Repetitive Reverse Voltage	VRRM								
Working Peak Reverse Voltage	VRWM	20	30	40	50	60	80	100	V
DC Blocking Voltage	VR								
RMS Reverse Voltage	VR(RMS)	14	21	28	35	42	56	70	V
Average Rectified Output Current @TL=100°C (Note 1)	IO	2.0							A
Non-Repetitive Peak Forward Surge Current 8.3ms Single half sine-wave superimposed on rated load (JEDEC Method)	IFSM	50							A
Forward Voltage @IF=2.0A	VFM	0.50		0.70		0.85		V	
Peak Reverse Current @TA=25°C	IRM	0.5							mA
At Rated DC Blocking Voltage @TA=100°C		10							
Typical Junction Capacitance (Note 2)	Cj	170			140			pF	
Typical Thermal Resistance (Note 1)	RθJA	35							°C/W
Operating and Storage Temperature Range	TJ, TSTG	-65 to +150							°C

- Note:** 1). Valid provided that leads are kept at ambient temperature at a distance of 9.5mm from the case.
2). Measured at 1.0 MHz and applied reverse voltage of 4.0V D.C.



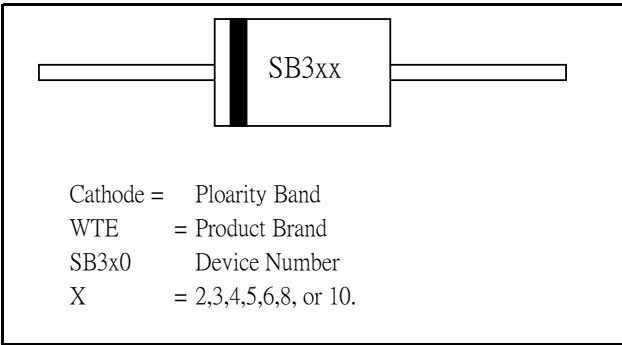
SINLOON®
POWER SEMICONDUCTOR

SB220 - SB2100

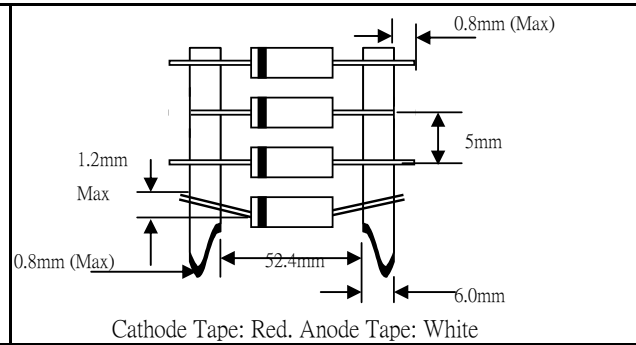


2.0A Schottky Barrier Diode

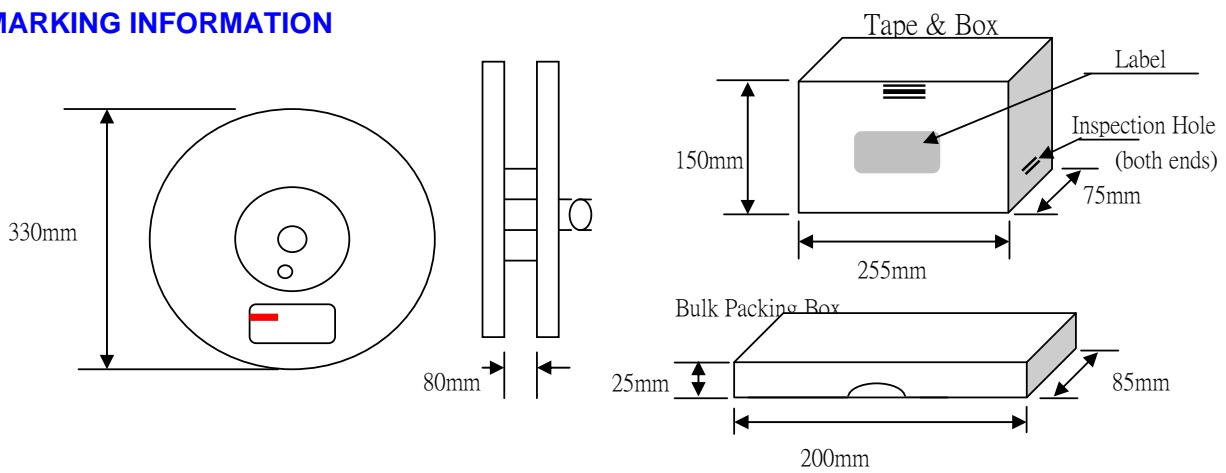
MARKING INFORMATION



TAPING SPECIFICATION



MARKING INFORMATION



Packaging (mm)	Quantity (PCS)	Reel Diameter Box Size (mm)	Carton Size LxWxH (mm)	Quantity (PCS)	Approx Gross Weight (KG)
Tape & Reel	4000	330	370x370x420	20000	12.0
Tape & Box	3000	255x75x150	400x273x415	30000	15.0
Bulk Box	1000	200x85x40	459x214x256	40000	17.5

- Note: 1). Paper reel, white or gray color. Core material: plastic or metal.
2). Components are packed in accordance with EIA standard RS-296-E

ORDERING INFORMATION

Product No.	Package Type	Shipping Quantity	Product No.	Package Type	Shipping Quantity
SB220-T3	DO-15	4000/Tape & Reel	SB260-T3	DO-15	4000/Tape & Reel
SB220-TB	DO-15	3000/Tape & Reel	SB260-TB	DO-15	3000/Tape & Reel
SB220	DO-15	1000 Unit/Box	SB260	DO-15	1000 Unit/Box
SB230-T3	DO-15	4000/Tape & Reel	SB280-T3	DO-15	4000/Tape & Reel
SB230-TB	DO-15	3000/Tape & Reel	SB280-TB	DO-15	3000/Tape & Reel
SB230	DO-15	1000 Unit/Box	SB280	DO-15	1000 Unit/Box
SB240-T3	DO-15	4000/Tape & Reel	SB2100-T3	DO-15	4000/Tape & Reel
SB240-TB	DO-15	3000/Tape & Reel	SB2100-TB	DO-15	3000/Tape & Reel
SB240	DO-15	1000 Unit/Box	SB2100	DO-15	1000 Unit/Box
SB250-T3	DO-15	4000/Tape & Reel			
SB250-TB	DO-15	3000/Tape & Reel			
SB250	DO-15	1000 Unit/Box			

<http://www.mavloon.com>

- 1). Products listed in bold are WTE Preferred devices.
2). Shipping quantity given in minimum packing quantity only, for minimum order quantity, please consult the Sales Department.
3). To order RoHS /Lead Free version (with Lead Free finish), add "LF" suffix to part number above, for example, SB220-TB-LF.