

## DIP KHz Crystal - JXD6 Series Resonators



### 2 PIN Version 2.0×6.0 mm

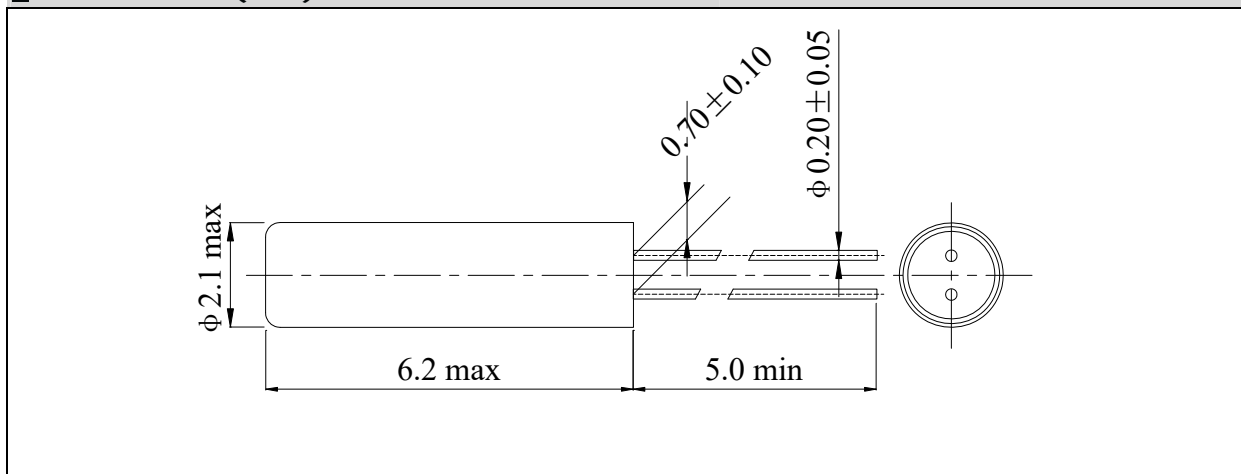
- 32.768 KHz standard
- ±5 ppm type available
- Excellent Reliability Performance
- RoHS Compliant /Pb Free.

#### Standard Specification

PARAMETERS	Symbol	SPECIFICATION
Nominal Frequency	F0	32.768KHz (30~ 200KHz available)
Frequency Tolerance	FL	±5ppm, ±10ppm, ±20ppm
Turnover Temperature	Ti	+25°C ±5°C
Parabolic Coefficient	B	$(-0.030 \pm 10\%) \times 10^{-6} / ^\circ\text{C}^2$
Loading Capacitance	CL	6.0pF, 7.0pF, 9.0pF, 12.5pF
Equivalent Resistance	ESR	40KΩ max.
Drive Level	DL	0.1μW typ. (0.5μW max.)
Shunt Capacitance	C0	1.65pF typ.
Frequency Ageing	F <sub>AGE</sub>	±3ppm (+25°C ±3°C, First Year)
Operating Temp. Range:	T <sub>OPR</sub>	-40~+85°C
Storage Temp. Range:	T <sub>STG</sub>	-40~+85°C

⊙ All specification subject change without notice.

#### Dimensions (mm)



■ Part Numbering guide

*e.g. JXD6-20D-A1*

Logo	Quartz Crystal Resonator	Series		Freq. Tolerance	Operating Temp. Range		Load Capacitance	Extra Code
<b>J</b>	<b>X</b>	<b>D6</b>	<b>-</b>	<b>20</b>	<b>D</b>	<b>-</b>	<b>A</b>	<b>1</b>