

DIP KHz Crystal - JXD8 Series Resonators



2 PIN Version 3.0×8.0 mm

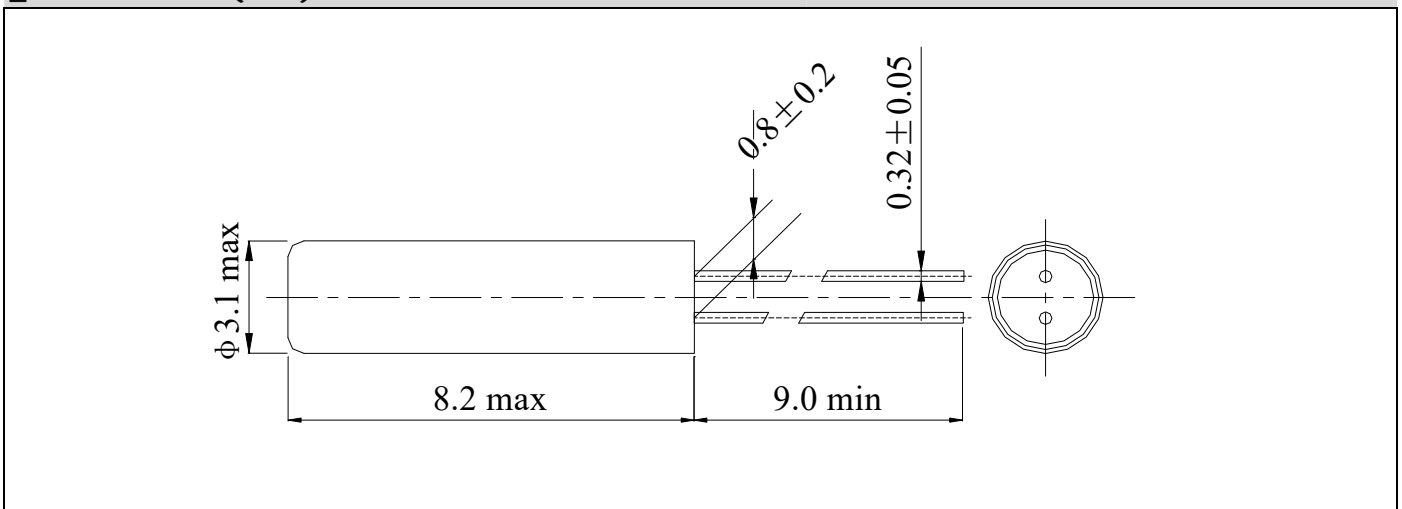
- 32.768 KHz standard
- ±5 ppm type available
- Excellent Reliability Performance
- RoHS Compliant /Pb Free.

Standard Specification

PARAMETERS	Symbol	SPECIFICATION
Nominal Frequency	F0	32.768KHz (30~ 200KHz available)
Frequency Tolerance	FL	±5ppm, ±10ppm, ±20ppm
Turnover Temperature	Ti	+25°C±5°C
Parabolic Coefficient	B	$(-0.030\pm 10\%)\times 10^{-6}/^{\circ}\text{C}^2$
Loading Capacitance	CL	6.0pF, 7.0pF, 9.0pF, 12.5pF
Equivalent Resistance	ESR	30KΩ max.
Drive Level	DL	0.1μW typ. (0.5μW max.)
Shunt Capacitance	C0	1.35pF typ.
Frequency Ageing	F _{AGE}	±3ppm (+25°C±3°C, First Year)
Operating Temp. Range:	T _{OPR}	-40~+85°C
Storage Temp. Range:	T _{STG}	-40~+85°C

© All specification subject change without notice.

Dimensions (mm)



■ **Part Numbering guide**

e.g. JXD8-20D-A1

Logo	Quartz Crystal Resonator	Series		Freq. Tolerance	Operating Temp. Range		Load Capacitance	Extra Code
J	X	D8	-	20	D	-	A	1