

SMD Crystal Resonators

JXSM Series

2 Pad Version 11.4×4.8 mm



- Resistance weld metal package
- Lower profile package height of 3.2 mm is available
- Industry Standard Footprint
- RoHS Compliant /Pb Free.

■ Standard Specification

PARAMETERS	Sign	SPECIFICATION
Frequency Range	F0	3.5~100MHz
Oscillation Mode		(3.5 ~ 40MHz) Fundamental (27 ~ 100MHz) 3rd Overtone
Loading Capacitance	CL	6pF to 32pF / Series available
Drive Level	DL	100μW (500μW Max)
Frequency Tolerance	FL	±10ppm, ±15ppm, ±20ppm, or specify
Equivalent Resistance	RR	See Below
Frequency Stability	TC	±10ppm, ±15ppm, ±20ppm, ±30ppm, or specify
Operating Temp. Range:	T _{OPR}	-10~+60°C to -40~+125°C
Storage Temp. Range:	T _{STG}	-40~+125°C

© All specification subject change without notice.

■ ESR (Equivalent Series Resistance)

3.5-3.999MHz	AT CUT/FUND.	150Ω max.
4-5.999MHz	AT CUT/FUND.	100Ω max.
6-7.999MHz	AT CUT/FUND.	80Ω max.
8-11.999MHz	AT CUT/FUND.	60Ω max.
12-15.999MHz	AT CUT/FUND.	40Ω max.
16-40MHz	AT CUT/FUND.	30Ω max.
27-100MHz	AT CUT/3 rd OT	100Ω max.

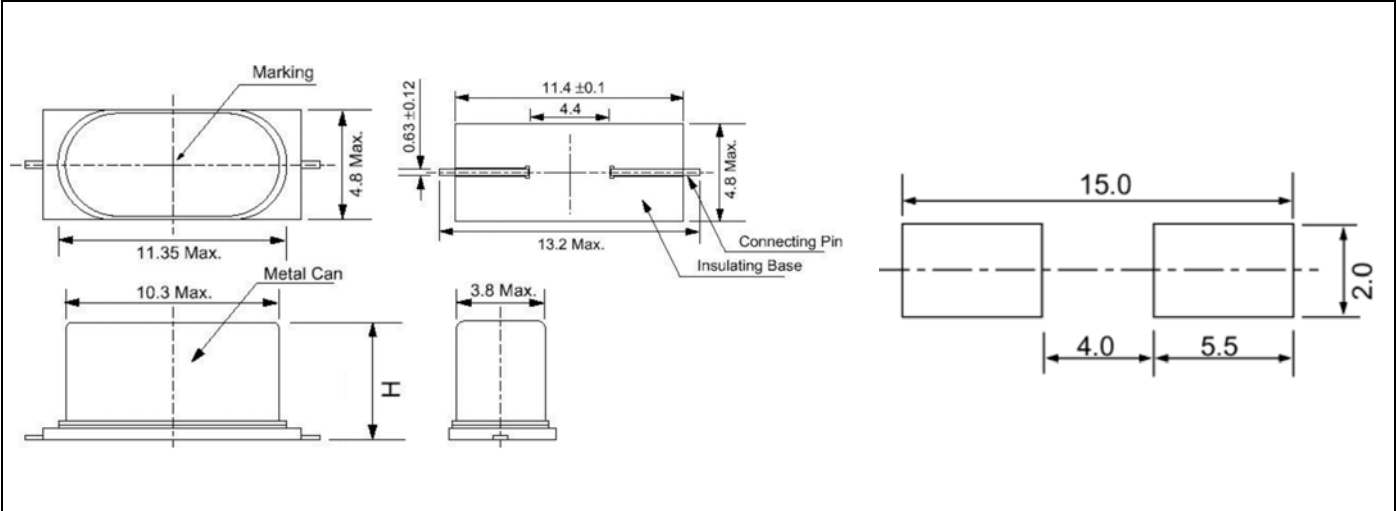
■ Frequency Stability vs. Temperature

Operating Temperature Range	Frequency Stability				
	±10ppm	±15ppm	±20ppm	±30ppm	±50ppm
-10°C~+60°C	O	O	O	O	O
-20°C~+70°C	△	O	O	O	O
-40°C~+85°C	×	△	O	O	O
-30°C~+105°C	×	△	△	O	O
-40°C~+125°C	×	×	×	△	O

O: Available
△ : Conditional
×: Not available

■ Dimensions (mm)

■ Solder Pad Layout (mm)

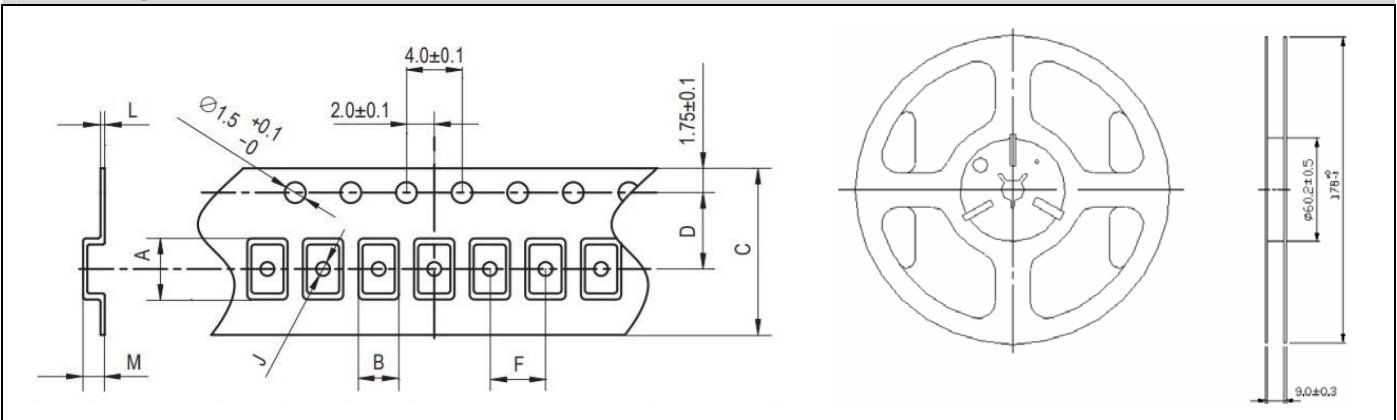


■ Part Numbering guide

e.g. JXSM-8M-10B10-B3

Logo	Quartz Crystal Resonator	Series		Center Freq.		Freq. Tolerance	Operating Temp. Range	Freq. Stability		Load Capacitance	Extra Code
J	X	SM	-	8M	-	10	B	10	-	B	3

■ Taping Specification



A	B	C	D	F	J	L	M	Qty/Reel
15.4 ± 0.1	5.3 ± 0.1	24.0 ± 0.2	11.5 ± 0.1	12.0 ± 0.1	1.7 ± 0.1	0.4 ± 0.05	4.4 ± 0.2	1000pcs