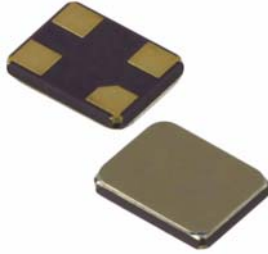


SMD Crystal Resonators

JX1A Series



4 Pad Version 1.6×1.2 mm

- Excellent Reliability Performance
- EMI shielding possible by grounded lid
- Reflow soldering temperature: 260°C max
- Ultra-small package
- RoHS Compliant /Pb Free.

Standard Specification

PARAMETERS	Sign	SPECIFICATION
Frequency Range	F0	24~54MHz
Oscillation Mode		Fundamental
Loading Capacitance	CL	6pF to 32pF / Series available
Drive Level	DL	10μW (100μW Max)
Frequency Tolerance	FL	±10ppm, ±15ppm, ±20ppm, or specify
Equivalent Resistance	RR	See Below
Frequency Stability	TC	±10ppm, ±15ppm, ±20ppm, ±30ppm, or specify
Operating Temp. Range:	T _{OPR}	-10~+60°C to -40~+125°C
Storage Temp. Range:	T _{STG}	-55~+125°C

© All specification subject change without notice.

ESR (Equivalent Series Resistance)

24-25.999MHz	AT CUT/FUND.	150Ω max.
26-39.999MHz	AT CUT/FUND.	120Ω max.
40-54.000MHz	AT CUT/FUND.	100Ω max.

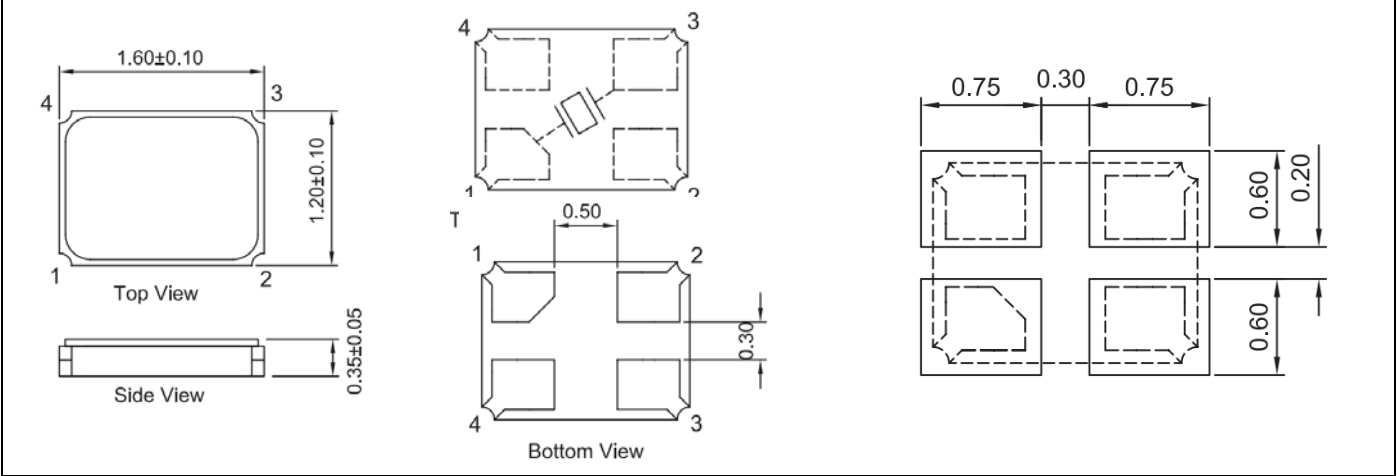
Frequency Stability vs. Temperature

Operating Temperature Range	Frequency Stability				
	±10ppm	±15ppm	±20ppm	±30ppm	±50ppm
-10°C~+60°C	O	O	O	O	O
-20°C~+70°C	Δ	O	O	O	O
-40°C~+85°C	×	Δ	O	O	O
-30°C~+105°C	×	Δ	Δ	O	O
-40°C~+125°C	×	×	×	Δ	O

O: Available
Δ: Conditional
×: Not available

■ Dimensions (mm)

■ Solder Pad Layout (mm)

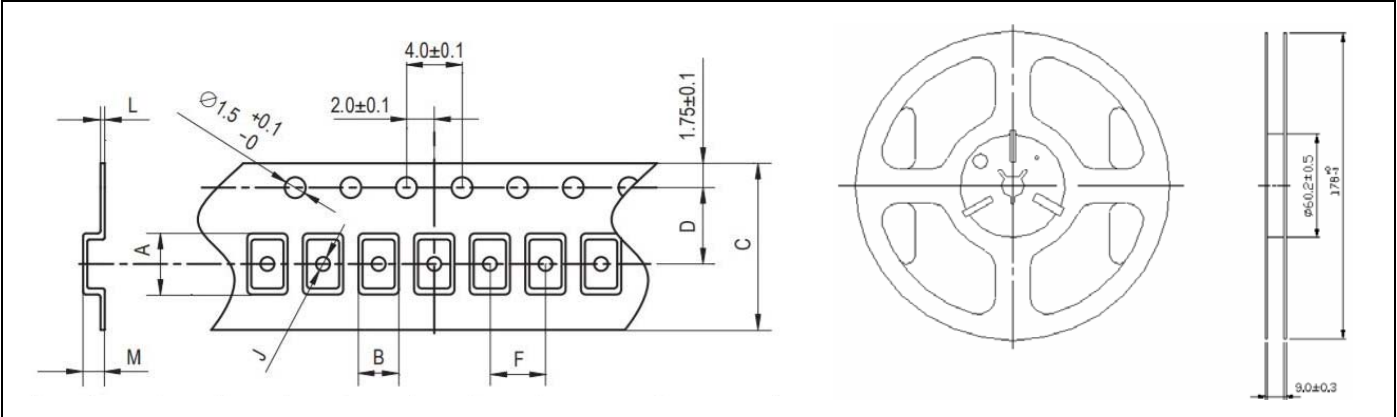


■ Part Numbering guide

e.g. JX1A-37M400-10B10-B3

Logo	Quartz Crystal Resonator	Series	Center Freq.	Freq. Tolerance	Operating Temp. Range	Freq. Stability	Load Capacitance	Extra Code			
J	X	1A	-	37M400	-	10	B	10	-	B	3

■ Taping Specification



A	B	C	D	F	J	L	M	Qty/Reel
1.85±0.1	1.45±0.1	8.0±0.3	3.5±0.1	4.0±0.1	0.6±0.05	0.25±0.02	0.8±0.1	3000pcs