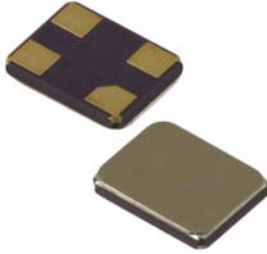


SMD Crystal Resonators

JX2A Series

4 Pad Version 2.5×2.0 mm



- High precision and high frequency stability
- Excellent heat resistance and environmental characteristics
- EMI shielding possible by grounded lid
- RoHS Compliant /Pb Free

Standard Specification

PARAMETERS	Sign	SPECIFICATION 规格
Frequency Range	F0	12~66MHz
Oscillation Mode		Fundamental
Loading Capacitance	CL	6pF to 32pF / Series available
Drive Level	DL	10μW (100μW Max)
Frequency Tolerance	FL	±10ppm, ±15ppm, ±20ppm, or specify
Equivalent Resistance	RR	See Below
Frequency Stability	TC	±10ppm, ±15ppm, ±20ppm, ±30ppm, or specify
Operating Temp. Range:	T _{OPR}	-10~+60°C to -40~+125°C
Storage Temp. Range:	T _{STG}	-55~+125°C

© All specification subject change without notice.

ESR (Equivalent Series Resistance)

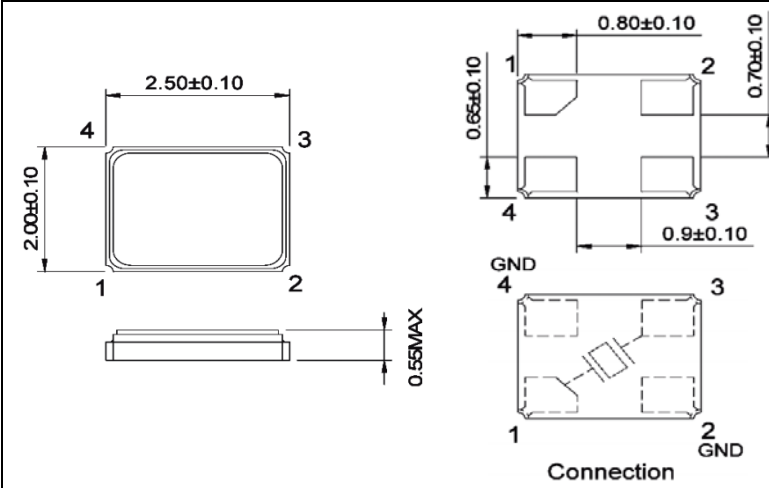
12-12.999MHz	AT CUT/FUND.	100Ω max.
13-29.999MHz	AT CUT/FUND.	80Ω max.
30-66.000MHz	AT CUT/FUND.	60Ω max.

Frequency Stability vs. Temperature

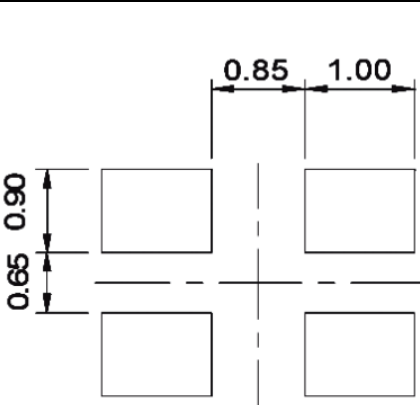
Operating Temperature Range	Frequency Stability				
	±10ppm	±15ppm	±20ppm	±30ppm	±50ppm
-10°C~+60°C	O	O	O	O	O
-20°C~+70°C	△	O	O	O	O
-40°C~+85°C	×	△	O	O	O
-30°C~+105°C	×	△	△	O	O
-40°C~+125°C	×	×	×	△	O

O: Available
△ : Conditional
×: Not available

■ Dimensions (mm)



■ Solder Pad Layout (mm)

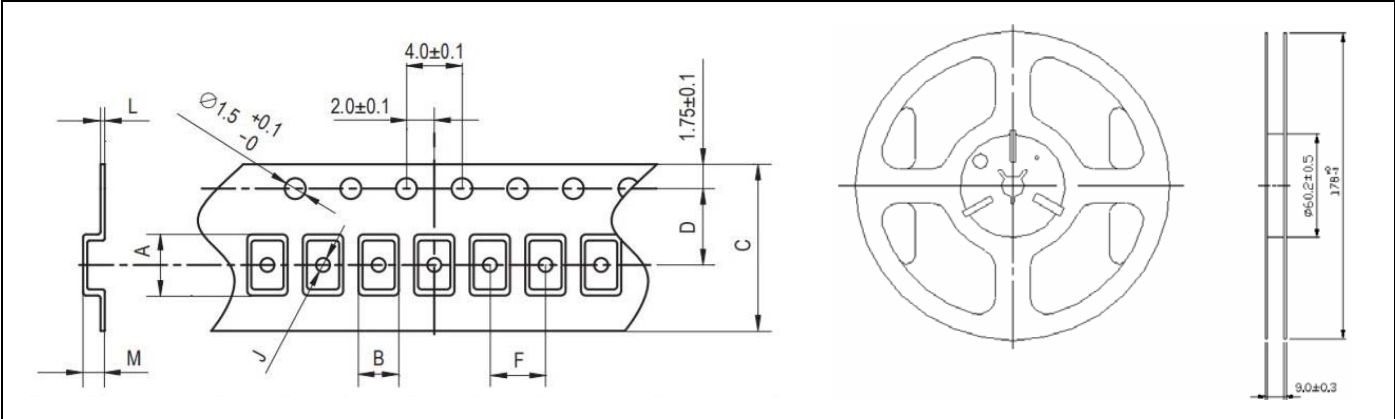


■ Part Numbering guide

e.g. JX2A-24M-10B10-B3

Logo	Quartz Crystal Resonator	Series		Center Freq.		Freq. Tolerance	Operating Temp. Range	Freq. Stability		Load Capacitance	Extra Code
J	X	2A	-	24M	-	10	B	10	-	B	3

■ Taping Specification



A	B	C	D	F	J	L	M	Qty/Reel
2.8±0.1	2.3±0.1	8.0±0.2	3.5±0.1	4.0±0.1	1.1±0.1	0.25±0.05	1.1±0.2	3000pcs