

SMD KHz Crystal Resonators

JXK7 Series



4 Pad Version 7.0×1.5 mm

- ±10 ppm type available
- Excellent Reliability Performance
- Reflow soldering temperature: 260°C max
- Excellent shock and heat resistance.
- Applications: Mobile Phone, Wearable, Module, Micro controller, etc

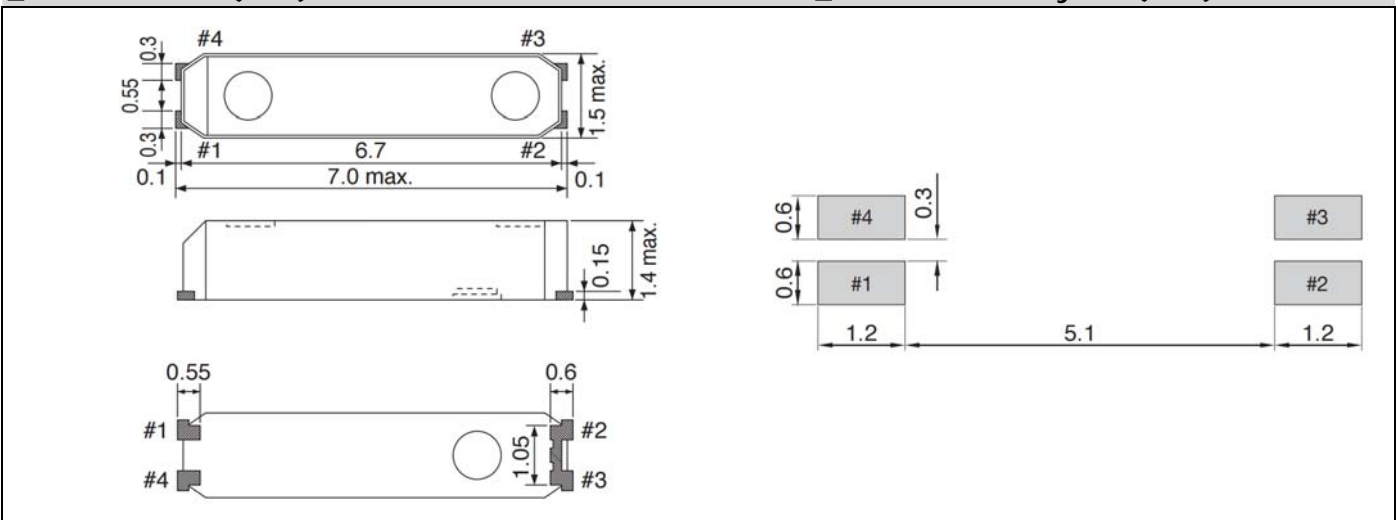
Standard Specification

PARAMETERS	Symbol	SPECIFICATION
Nominal Frequency	F0	32.768KHz
Frequency Tolerance	FL	±10ppm, ±20ppm
Turnover Temperature	Ti	+25°C ±5°C
Parabolic Coefficient	B	$(-0.035 \pm 10\%) \times 10^{-6} / ^\circ\text{C}^2$
Loading Capacitance	CL	6.0pF, 7.0pF, 9.0pF, 12.5pF
Equivalent Resistance	ESR	65KΩ max.
Drive Level	DL	0.5μW typ. (1.0μW max.)
Shunt Capacitance	C0	0.8pF typ.
Frequency Ageing	F _{AGE}	±3ppm (+25°C ±3°C, First Year)
Operating Temp. Range:	T _{OPR}	-40~+85°C
Storage Temp. Range:	T _{STG}	-55~+125°C

© All specification subject change without notice.

Dimensions (mm)

Solder Pad Layout (mm)

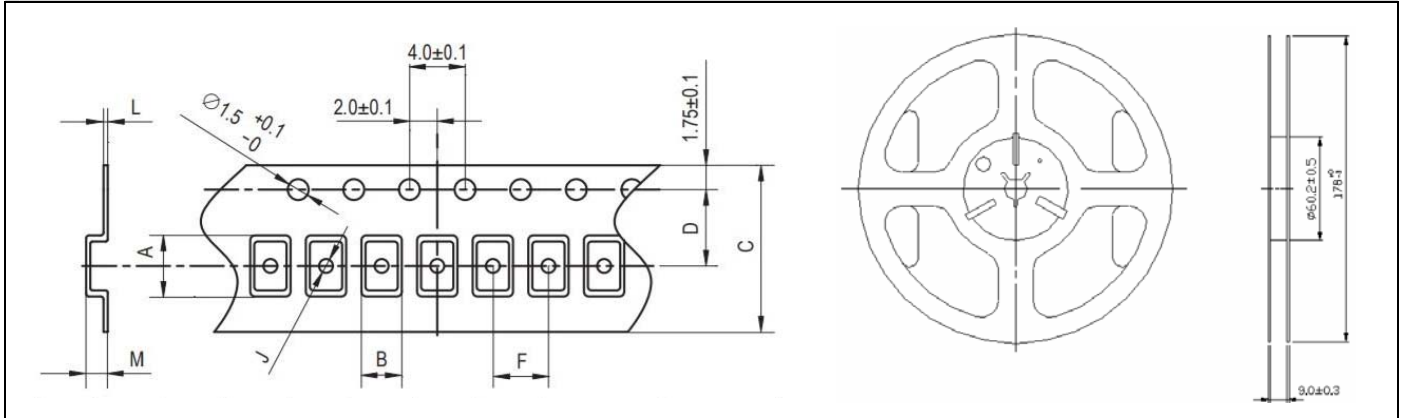


■ Part Numbering guide

e.g. JXK7-20D-A1

Logo	Quartz Crystal Resonator	Series		Freq. Tolerance	Operating Temp. Range		Load Capacitance	Extra Code
J	X	K7	-	20	D	-	A	1

■ Taping Specification



A	B	C	D	F	J	L	M	Qty/Reel
7.2±0.1	1.6±0.1	16.0±0.3	7.5±0.1	4.0±0.1	1.0±0.05	0.3±0.05	1.5±0.1	3000/9000pcs