

# SMD KHz Crystal Resonators

## JXK8 Series



### 4 Pad Version 8.0×3.8 mm

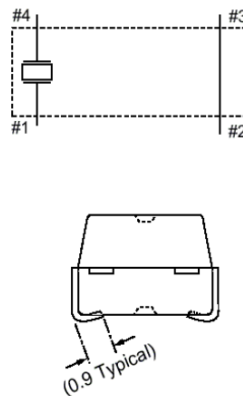
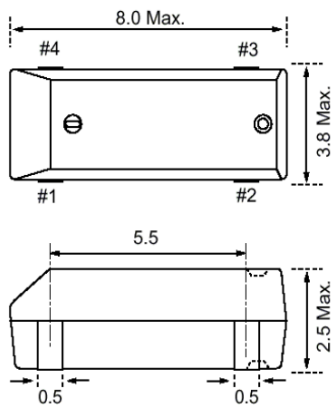
- ±10 ppm type available
- Excellent Reliability Performance
- Reflow soldering temperature: 260°C max
- RoHS Compliant
- Applications: Industry, PC, Micro controller, etc

### Standard Specification

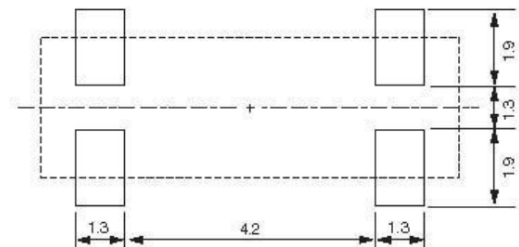
PARAMETERS	Symbol	SPECIFICATION
Nominal Frequency	F0	32.768KHz
Frequency Tolerance	FL	±10ppm, ±20ppm
Turnover Temperature	Ti	+25°C ±5°C
Parabolic Coefficient	B	$(-0.035 \pm 10\%) \times 10^{-6} / ^\circ\text{C}^2$
Loading Capacitance	CL	6.0pF, 7.0pF, 9.0pF, 12.5pF
Equivalent Resistance	ESR	50KΩ max.
Drive Level	DL	0.5μW typ. (1.0μW max.)
Shunt Capacitance	C0	1.3pF typ.
Frequency Ageing	F <sub>AGE</sub>	±3ppm (+25°C ±3°C, First Year)
Operating Temp. Range:	T <sub>OPR</sub>	-40~+85°C
Storage Temp. Range:	T <sub>STG</sub>	-55~+125°C

○ All specification subject change without notice.

### Dimensions (mm)



### Solder Pad Layout (mm)

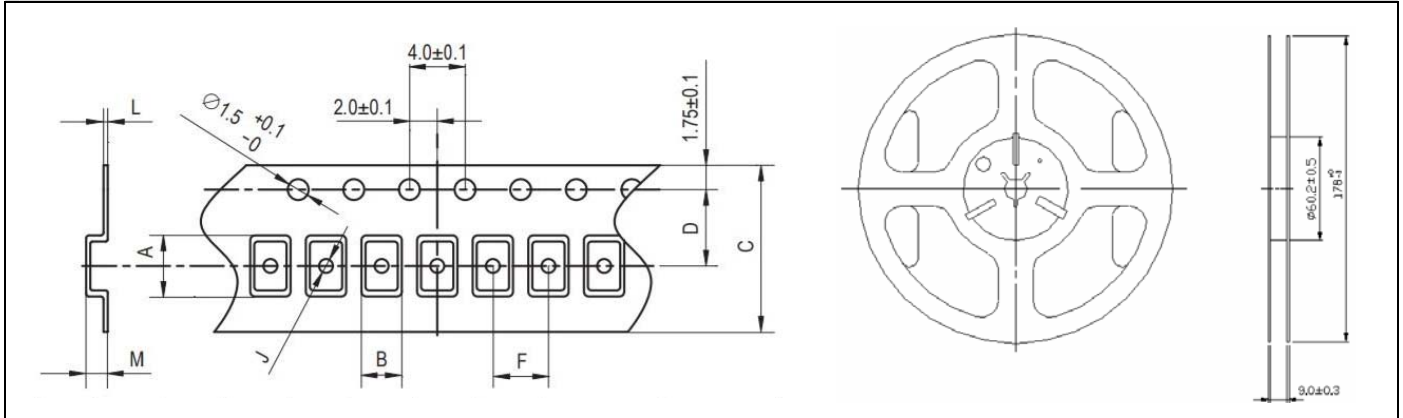


■ Part Numbering guide

e.g. JXK8-20D-A1

Logo	Quartz Crystal Resonator	Series		Freq. Tolerance	Operating Temp. Range		Load Capacitance	Extra Code
J	X	K8	-	20	D	-	A	1

■ Taping Specification



A	B	C	D	F	J	L	M	Qty/Reel
7.2±0.1	1.6±0.1	16.0±0.3	7.5±0.1	4.0±0.1	1.0±0.05	0.3±0.05	1.5±0.1	3000/9000pcs