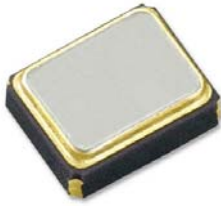


SMD TCXOs - JT1S Series



4 Pad Version 1.6×1.2 mm

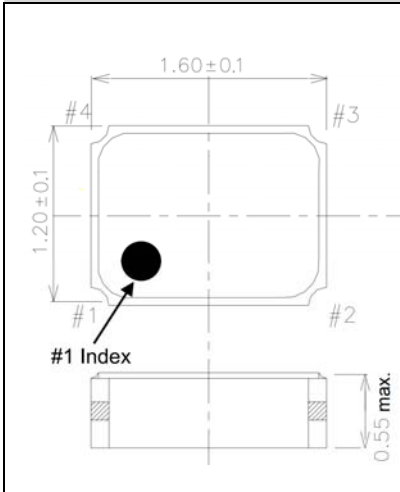
- Temperature Stability: $\pm 0.5 \text{ ppm} \sim \pm 2.0 \text{ ppm}$.
- Supply voltage range : 1.8V ~ 3.3V.
- Voltage Control Function Available.
- RoHS Compliant /Pb Free.

Standard Specification

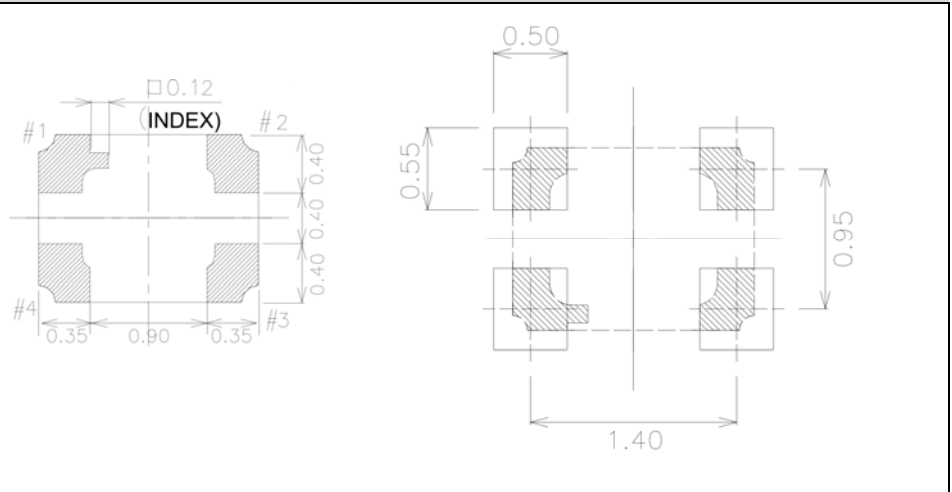
PARAMETERS	Sign	SPECIFICATION	
Frequency Range	F0	26 ~ 52MHz	
Oscillation Mode		Fundamental	
Supply voltage	Vdd	1.8V~3.3V	
Frequency Tolerance	FT	$\pm 1.0\text{ppm}$ 、 $\pm 1.5\text{ppm}$ 、 $\pm 2.0\text{ppm}$	
Frequency Stability	FS	$\pm 25\text{ppm}$ 、 $\pm 50\text{ppm}$ 、or specify	
		Vs Temperature (ref. to +25°C)	$\pm 0.5 \sim \pm 2.0\text{ppm}$
		Vs Supply voltage change ($\pm 5\%$)	$\pm 0.2\text{ppm}$
		Vs Load change ($\pm 10\%$)	$\pm 0.2\text{ppm}$
Input Current	Idd	2mA max.	
Output Load		10K Ω //10pF	
Operating Temp. Range:	T _{OPR}	-30~+85°C , -40~+85°C	
Storage Temp. Range:	T _{STG}	-55~+125°C	
Start-up time		5ms max.	
Harmonics		-5dBc max.	
Phase Noise @1KHz offset		-130 dBc/Hz max	
Aging (at 25°C)		$\pm 1\text{ppm/year}$ max.	

© All specification subject change without notice.

Dimensions (mm)



Solder Pad Layout (mm)

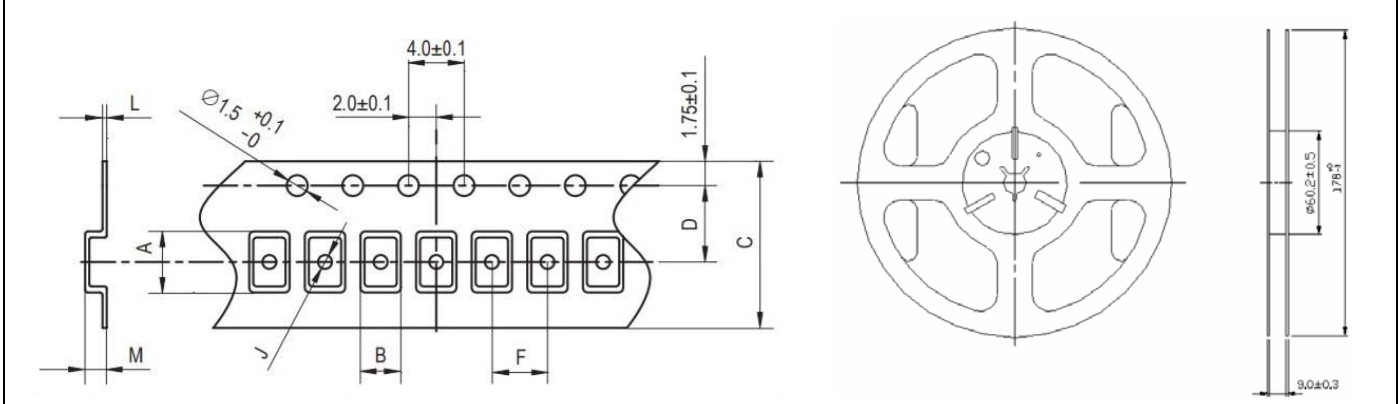


■ Part Numbering guide

e.g. JT1S-26M-A0.5-B3

Logo	TCXO	Series		Center Freq.		Operating Temp. Range	Freq. Stability		Supply voltage	Extra Code
J	T	1S	-	26M	-	A	0.5	-	B	3

■ Taping Specification



The diagram illustrates the taping specification for the component. It includes a side view of the tape with dimensions A, B, C, D, F, J, L, and M. A hole diameter of $\varnothing 1.5^{+0.1}_{-0}$ is indicated. A circular reel view shows a diameter of $\varnothing 60.2^{+0.5}$ and a width of $178^{+0.3}$. A table below the diagram provides the numerical values for dimensions A through M and the quantity per reel.

A	B	C	D	F	J	L	M	Qty/Reel
1.8±0.1	1.4±0.1	8.0±0.2	3.5±0.1	4.0±0.1	0.5±0.1	0.25±0.05	1.0±0.2	3000pcs