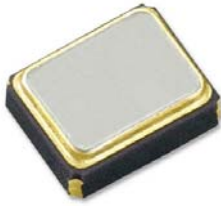


## SMD TCXOs - JT21S Series



### 4 Pad Version 2.0×1.6 mm

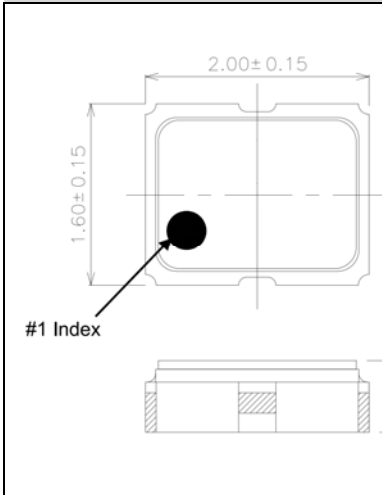
- Temperature Stability:  $\pm 0.5 \text{ ppm} \sim \pm 2.0 \text{ ppm}$ .
- Supply voltage range : 1.8V ~ 3.3V.
- Voltage Control Function Available.
- RoHS Compliant /Pb Free.

#### Standard Specification

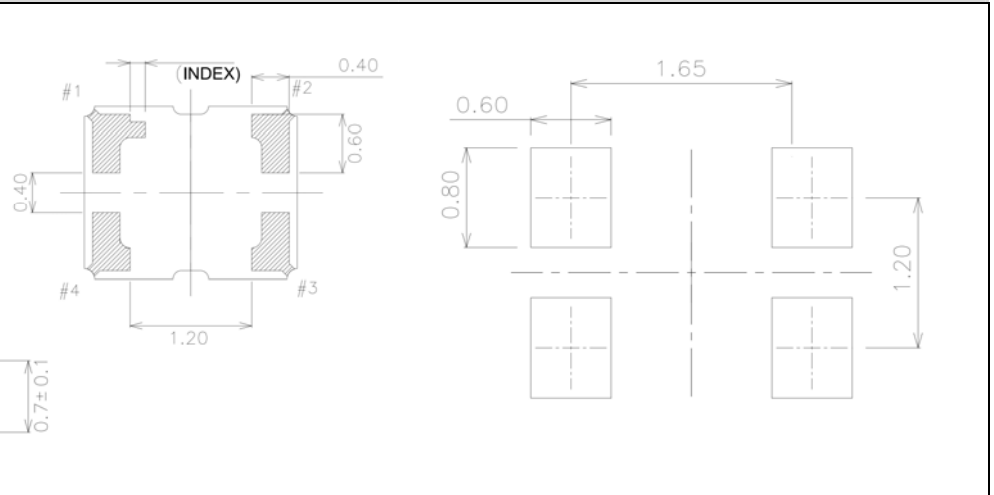
PARAMETERS	Sign	SPECIFICATION	
Frequency Range	F0	26 ~ 52MHz	
Oscillation Mode		Fundamental	
Supply voltage	Vdd	1.8V~3.3V	
Frequency Tolerance	FT	$\pm 1.0\text{ppm}$ 、 $\pm 1.5\text{ppm}$ 、 $\pm 2.0\text{ppm}$	
Frequency Stability	FS	$\pm 25\text{ppm}$ 、 $\pm 50\text{ppm}$ 、or specify	
		Vs Temperature (ref. to +25°C)	$\pm 0.5 \sim \pm 2.0\text{ppm}$
		Vs Supply voltage change ( $\pm 5\%$ )	$\pm 0.2\text{ppm}$
		Vs Load change ( $\pm 10\%$ )	$\pm 0.2\text{ppm}$
Input Current	Idd	2mA max.	
Output Load		10K $\Omega$ //10pF	
Operating Temp. Range:	T <sub>OPR</sub>	-30~+85°C , -40~+85°C	
Storage Temp. Range:	T <sub>STG</sub>	-55~+125°C	
Start-up time		5ms max.	
Harmonics		-5dBc max.	
Phase Noise @1KHz offset		-130 dBc/Hz max	
Aging (at 25°C)		$\pm 1\text{ppm/year}$ max.	

© All specification subject change without notice.

#### Dimensions (mm)



#### Solder Pad Layout (mm)

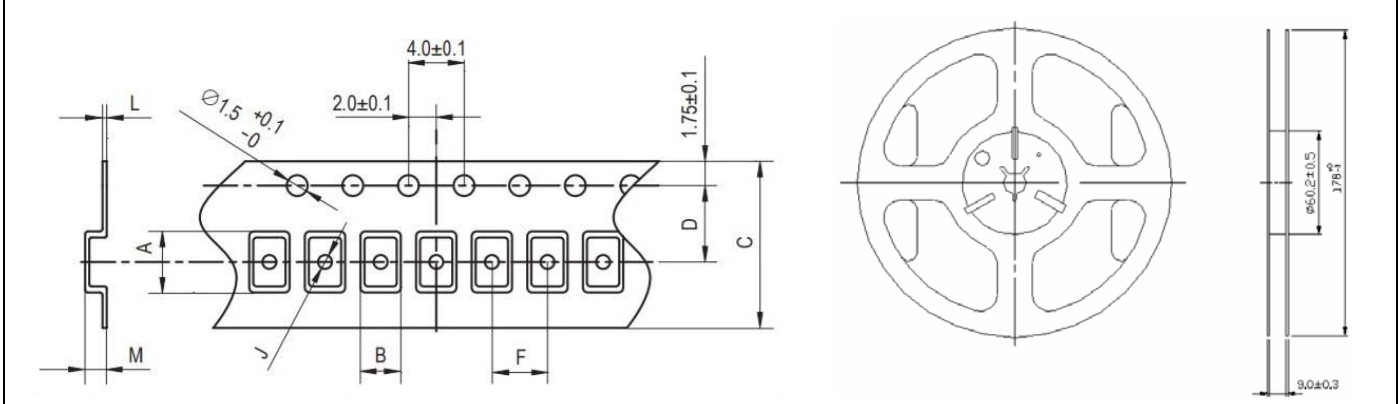


■ Part Numbering guide

e.g. JT21S-26M-A0.5-B3

Logo	TCXO	Series		Center Freq.		Operating Temp. Range	Freq. Stability		Supply voltage	Extra Code
J	T	21S	-	26M	-	A	0.5	-	B	3

■ Taping Specification



The diagram illustrates the mechanical specifications for a 6-pin SMD2016 TCXO component. It includes a side view with dimensions A through M, a top view showing the component's footprint, and a detail of the carrier tape. Key dimensions include: A (height of the component), B (pitch between pins), C (total length), D (height of the carrier tape), F (pitch between pins), J (width of the component), L (width of the carrier tape), and M (width of the carrier tape). Specific values are provided for A (2.3±0.1), B (1.9±0.1), C (8.0±0.2), D (1.75±0.1), F (4.0±0.1), J (1.0±0.1), L (0.25±0.05), and M (1.0±0.2). The carrier tape width is 3.0±0.3 mm, and the hole diameter is 0.50±0.05 mm. The pitch between the two rows of pins is 1.78 mm. The diameter of the pins is 0.15±0.1 mm.

A	B	C	D	F	J	L	M	Qty/Reel
2.3±0.1	1.9±0.1	8.0±0.2	3.5±0.1	4.0±0.1	1.0±0.1	0.25±0.05	1.0±0.2	3000pcs