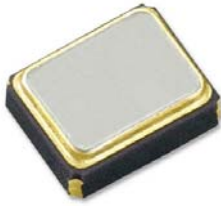


## SMD TCXOs - JT2S Series



### 4 Pad Version 2.5×2.0 mm

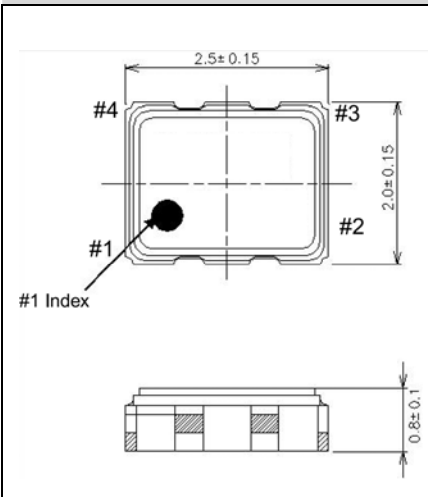
- Temperature Stability:  $\pm 0.5 \text{ ppm} \sim \pm 2.0 \text{ ppm}$ .
- Supply voltage range : 1.8V ~ 3.3V.
- Voltage Control Function Available.
- RoHS Compliant /Pb Free.

#### Standard Specification

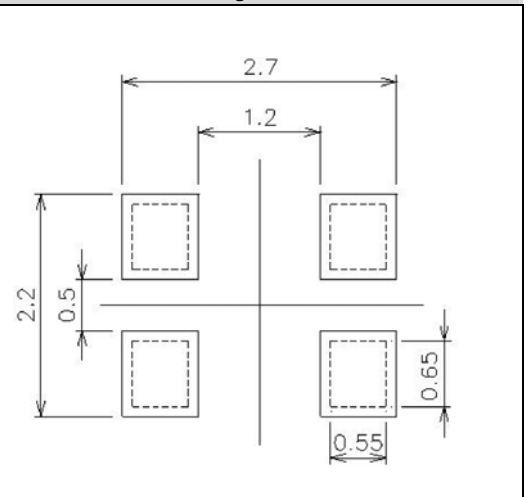
PARAMETERS	Sign	SPECIFICATION 规格	
Frequency Range	F0	13 ~ 52MHz	
Oscillation Mode		Fundamental	
Supply voltage	Vdd	1.8V~3.3V	
Frequency Tolerance	FT	$\pm 1.0\text{ppm}$ 、 $\pm 1.5\text{ppm}$ 、 $\pm 2.0\text{ppm}$	
Frequency Stability	FS	$\pm 25\text{ppm}$ , $\pm 50\text{ppm}$ , or specify	
		Vs Temperature (ref. to +25°C)	$\pm 0.5 \sim \pm 2.0\text{ppm}$
		Vs Supply voltage change ( $\pm 5\%$ )	$\pm 0.2\text{ppm}$
		Vs Load change ( $\pm 10\%$ )	$\pm 0.2\text{ppm}$
Input Current	Idd	2mA max.	
Output Load		10K $\Omega$ //10pF	
Operating Temp. Range:	T <sub>OPR</sub>	-30~+85°C , -40~+85°C	
Storage Temp. Range:	T <sub>STG</sub>	-55~+125°C	
Start-up time		5ms max.	
Harmonics		-5dBc max.	
Phase Noise @1KHz offset		-130 dBc/Hz max	
Aging (at 25°C)		$\pm 1\text{ppm/year}$ max.	

© All specification subject change without notice.

#### Dimensions (mm)



#### Solder Pad Layout (mm)

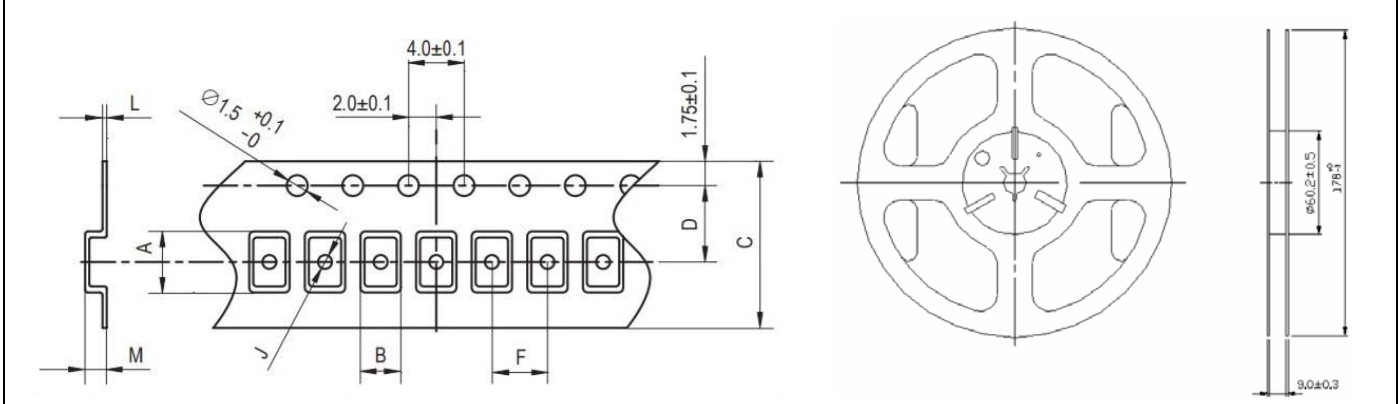


■ Part Numbering guide

e.g. JT2S-26M-A0.5-B3

Logo	TCXO	Series		Center Freq.		Operating Temp. Range	Freq. Stability		Supply voltage	Extra Code
J	T	2S	-	26M	-	A	0.5	-	B	3

■ Taping Specification



The diagram shows a side view and a top view of a carrier tape. The side view includes dimensions: L (carrier length), M (carrier width), A (carrier height), J (pitch), B (component width), F (component spacing), D (carrier thickness), C (total carrier height), and a hole diameter of  $\varnothing 1.5^{+0.1}_{-0}$ . The top view shows a circular carrier with a diameter of  $\varnothing 6.0 \pm 0.5$  and a width of  $3.0 \pm 0.3$ . A distance of  $1.75 \pm 0.1$  is also indicated.

A	B	C	D	F	J	L	M	Qty/Reel
2.8±0.1	2.3±0.1	8.0±0.2	3.5±0.1	4.0±0.1	1.0±0.1	0.25±0.05	1.4±0.2	2000pcs